

hush.
acoustics

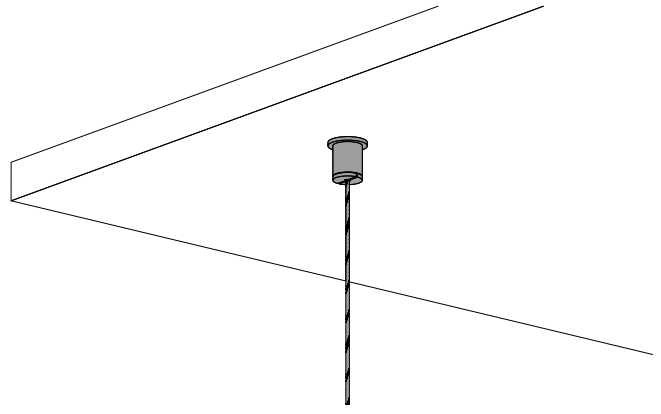
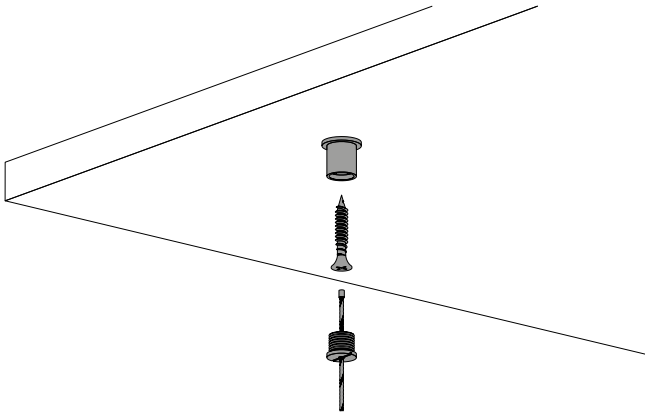
Install Guide

Ceiling Hardware

Quiet by design

Single Anchor

1. Secure the nut section of the Single Anchor to the ceiling using hardware recommended for your ceiling material. Now insert the wire cable into the bolt section, ensuring that the steel stub on the cable is seated inside the bolt section.
2. Now thread the bolt section into the nut that is fixed to the ceiling. Your ceiling hardware is now installed and ready for use.



U-Anchor

1. Mount the U-Anchor by screwing it to the ceiling using hardware recommended for your ceiling material.
2. Insert approximately 1" of the wire cable into the U-Anchor as shown below. Your ceiling hardware is now installed and ready for use.

