



*hush.
acoustics*

Box Ceiling Tiles

Spec Document



Check the product page

Quiet by Design



Open Box Ceiling Tiles · Flamingo, Lotus, Marigold, Papaya, Rose, & Sunset on Haze Core · Reception

Box Ceiling Tiles

Hush Ceiling Tiles offer an easy, effective, and tool-free way to improve acoustics in any open space.

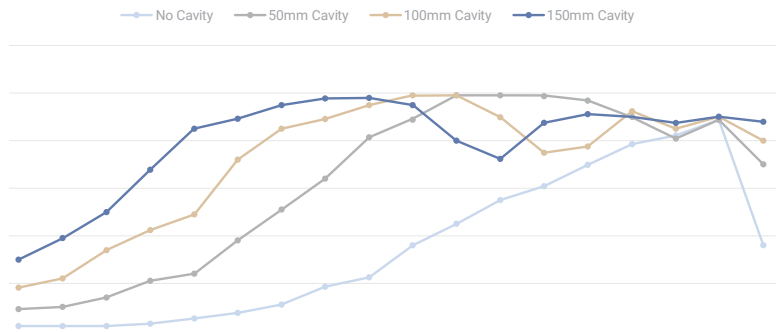
PRODUCT SPECIFICATIONS

| | |
|-------------------|---|
| Composition | 100% PET (Polyethylene Terephthalate); 60% recycled material |
| Thickness | 12mm |
| Product Placement | Ceiling |
| NRC | 0.85 |
| Fire Rating | CAN/ULC-S102 Class A ASTM E84 Class A |
| Sustainability | 100% Recyclable |
| Warranty | 2 Year Limited |

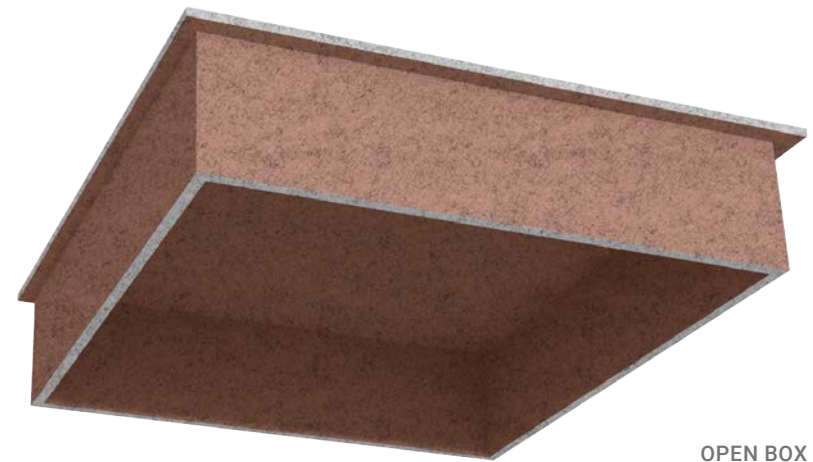


CLOSED BOX

NOISE REDUCTION COEFFICIENT COMPARISON



Full NRC comparison available upon request



OPEN BOX

Box Ceiling Tiles

GREENGUARD® GOLD CERTIFICATION

Hush Acoustics has achieved full GreenGuard® Gold sustainability certification, a mark of excellence that ensures our products meet strict standards for low chemical emissions, promoting healthier indoor air quality.

This recognition gives architects, designers, and consumers confidence in choosing Hush for environmentally responsible solutions. Beyond sustainability, Hush's felt products offer excellent sound-absorbing properties, making them ideal for creating quieter, more comfortable spaces.

SUSTAINABILITY

Manufactured from 100% PET(60% recycled material), our felt products demonstrate our commitment to both environmental stewardship and functional design, contributing to a greener and quieter future. It comprising of flame-retardant fiber as new material ensuring ASTM E84 class A certification. The high strength of PET panels in comparison to its weight is the key to its superior energy efficiency.

FUNGAL RESISTANT

Independently tested by EMSL Canada, Hush P.E.T. felt showed zero mold growth under ASTM C1338 laboratory conditions, confirming exceptional durability.

WARRANTY

2 year limited warranty. See F.A.Q. page on our website for more information.

COMPLIMENTARY DOCUMENTATION



Environmental
Product Declaration



Felt
Maintenance Guide



Flame
Spread

See Resource Hub page on website for more documentation

CLOSED BOX

| <i>mm</i> | <i>inches</i> |
|------------------|-------------------|
| 605 x 605 x 140 | 23.8 x 23.8 x 5.5 |
| 605 x 1210 x 140 | 23.8 x 47.6 x 5.5 |

OPEN BOX

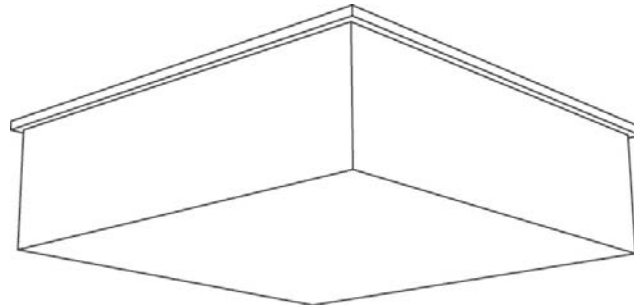
| | |
|------------------|-------------------|
| 605 x 605 x 140 | 23.8 x 23.8 x 5.5 |
| 605 x 1210 x 140 | 23.8 x 47.6 x 5.5 |

* Custom sizes available upon request

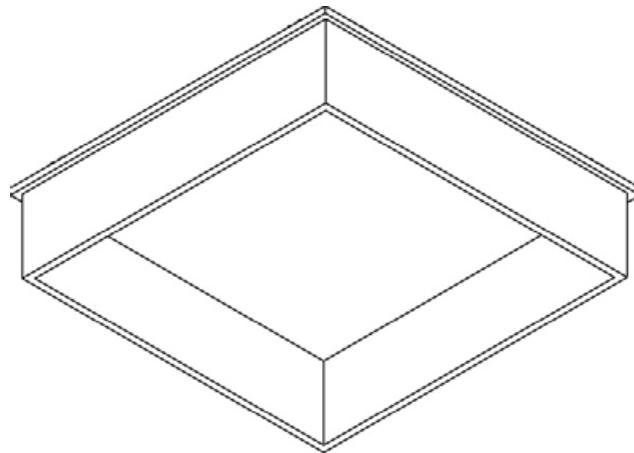
Box Ceiling Tiles

HOW TO SPECIFY

1. Select Design



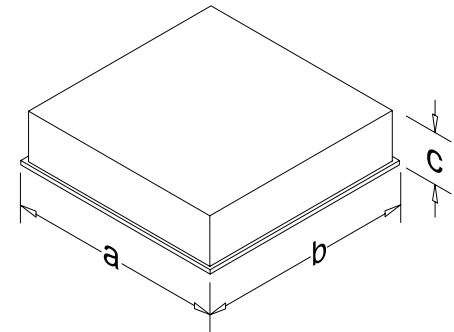
Closed Box



Open Box

2. Select Size

See [page 4](#) for full size chart



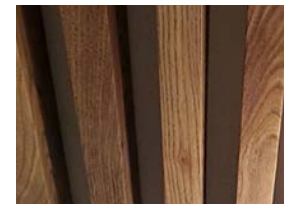
3. Select Colour



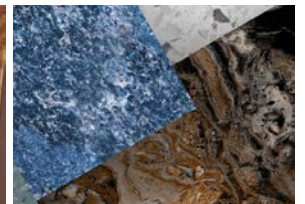
Element



Luxe Series



Wood Grains



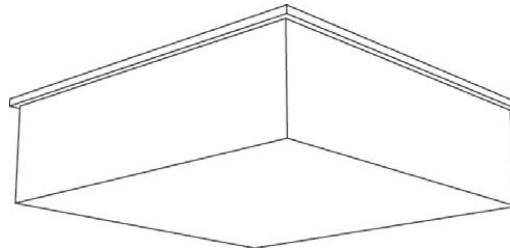
Concrete & Stone Grains

Box Ceiling Tiles

INSTALLATION INSTRUCTIONS

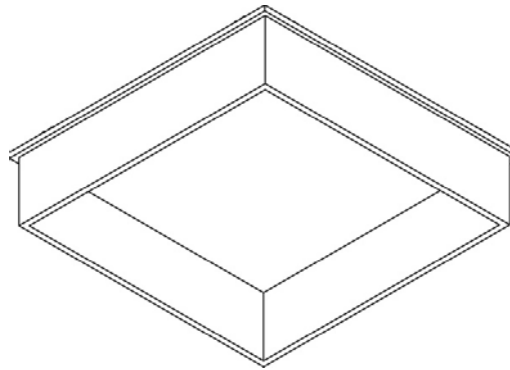
Closed Box Ceiling Tile

Page 7



Open Box Ceiling Tile

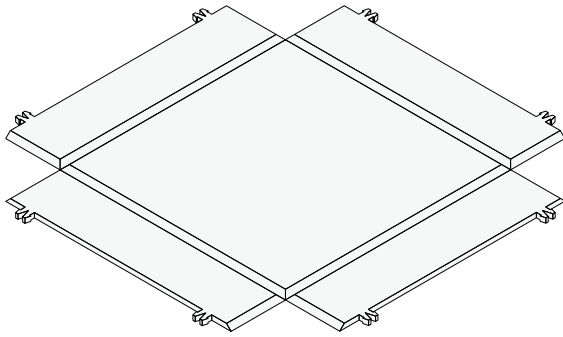
Pages 8-9



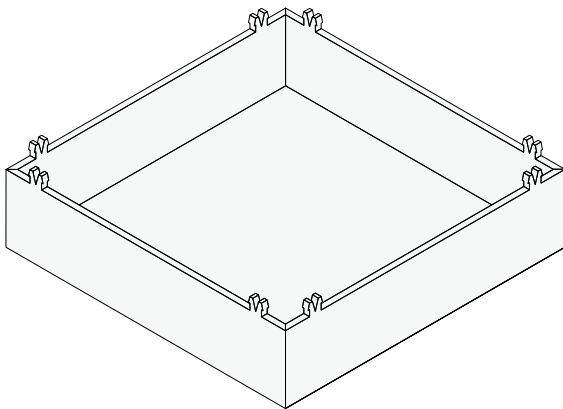
Box Ceiling Tiles

INSTALLATION INSTRUCTIONS · CLOSED BOX CEILING TILE

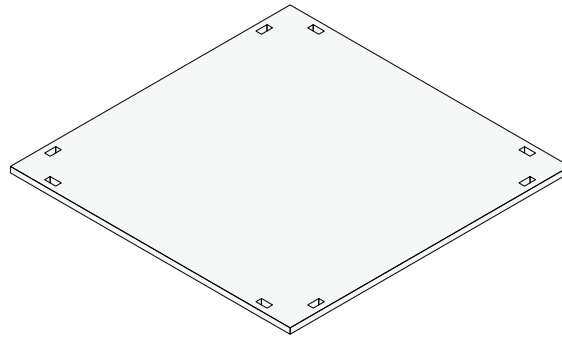
1. Locate the Ceiling Tile box section.



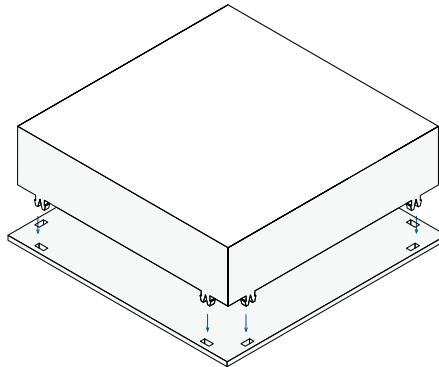
2. Fold the sides up to create a 'box' as shown below.



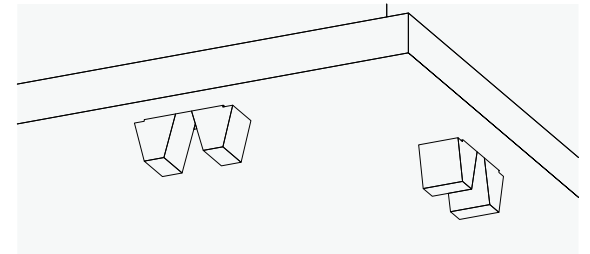
3. Locate the Ceiling Tile back panel.



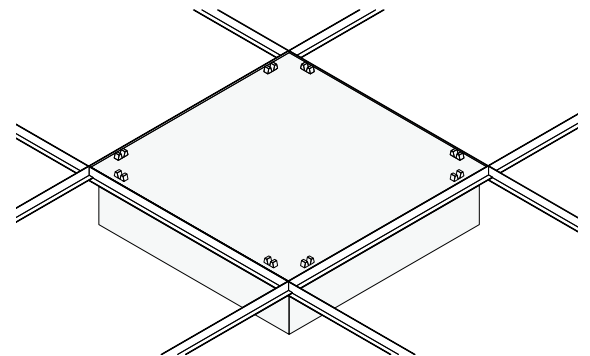
4. Turn the box section over, and secure it into the back panel.



5. Ensure that the tabs protrude through the back panel and are in the open and 'locked' position as shown in the detail below.



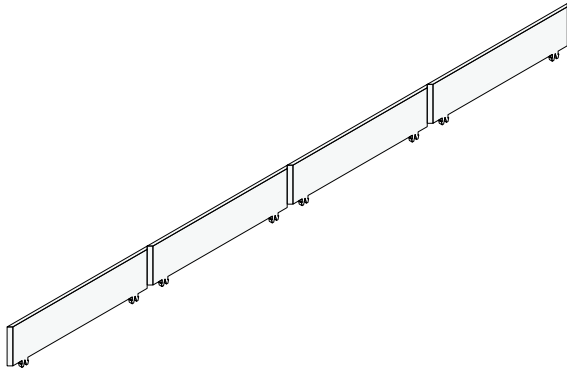
6. The Closed Box ceiling tile is complete and can now be placed into your T-grid ceiling.



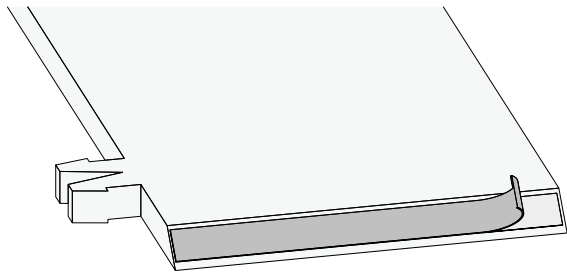
Box Ceiling Tiles

INSTALLATION INSTRUCTIONS · OPEN BOX CEILING TILE

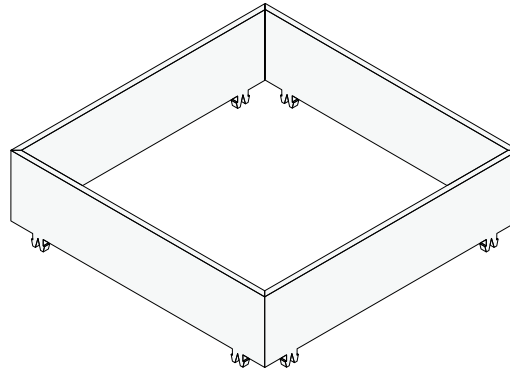
1. Locate the Ceiling Tile side panel.



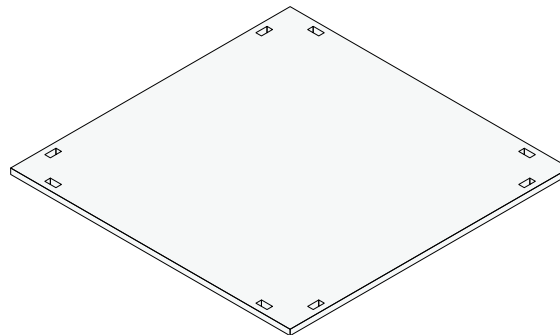
2. Remove the protective film from the adhesive tape on the one end of the side panel.



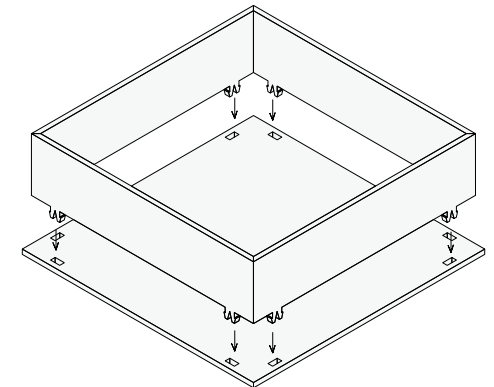
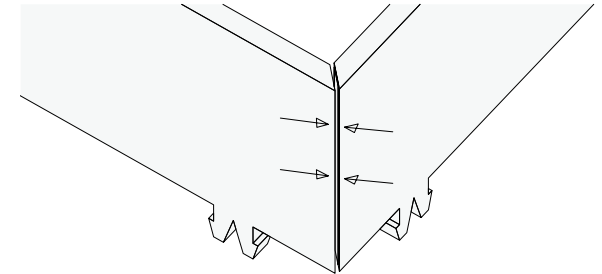
3. Fold the side panel into a square as shown below. Press the joining corners together firmly together to ensure a good bond with the adhesive tape.



4. Locate the Ceiling Tile back panel.



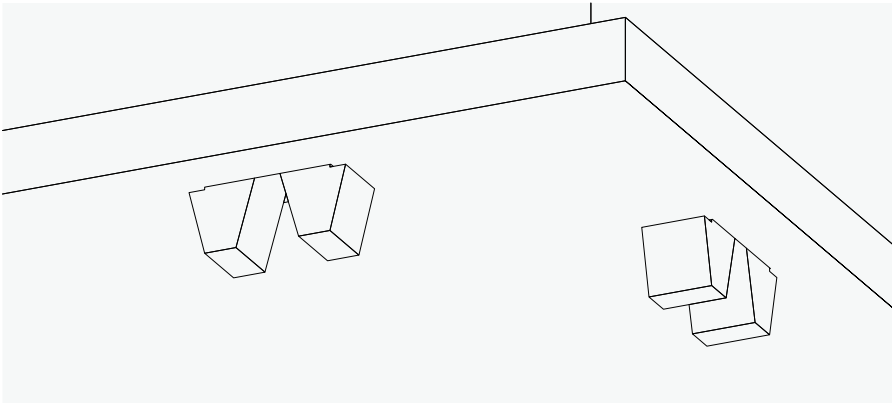
5. Insert the side panel section into the back panel.



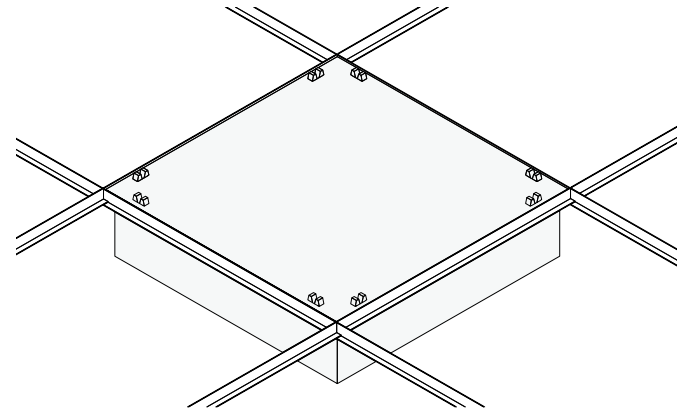
Box Ceiling Tiles

INSTALLATION INSTRUCTIONS · OPEN BOX CEILING TILE (CONT.)

6. Ensure that the side panel tabs protrude through the back panel and are in the open and 'locked' position as shown in the detail below.



7. The Open Box Ceiling Tile is complete and can now be placed into your T-grid ceiling.



Colour Options

PLEASE NOTE: The images are only a sampling of the colours. Order a physical colour sample to obtain an accurate representation of our acoustic colours.

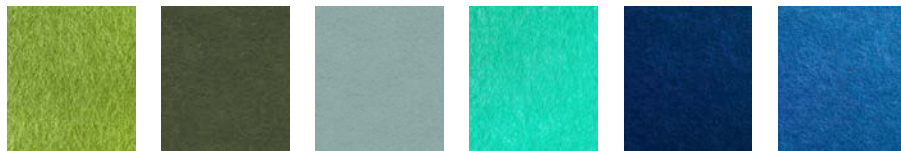
ELEMENT



SUNFLOWER APRICOT WINE CHERRY TAMARIND SALMON



GOLD CARAMEL CINNAMON PEARL MAPLE MOCHA



MOSS FORREST CRYSTAL AQUAMARINE LAPIS OCEAN



LAKE ICE LILAC CHARCOAL SLATE OYSTER



SHADOW CASPER FOG SNOW VANILLA

WOOD GRAINS



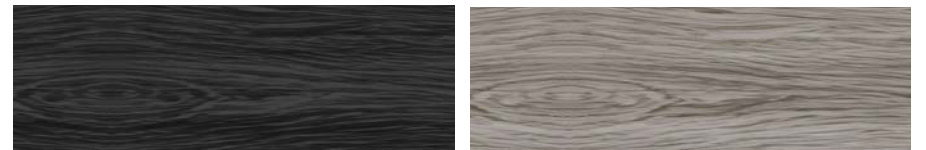
HONEY PINE SAND



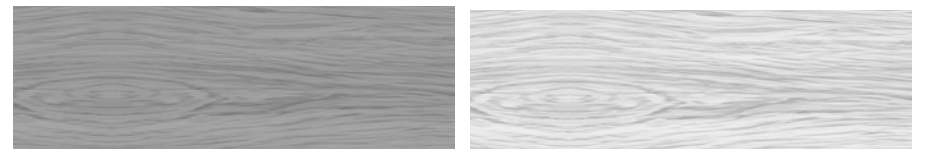
ANTIQUO OAK CHERRY



WALNUT MAHOGANY



BLACK TEAK ASHWOOD



GREY MAPLE WHITEMIST

Colour Options (cont.)

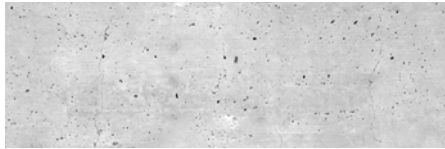
PLEASE NOTE: The images are only a sampling of the colours. Order a physical colour sample to obtain an accurate representation of our acoustic colours.

LUXE SERIES

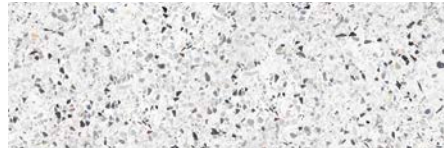


Colour Options (cont.)

CONCRETE & STONE GRAINS



CONCRETE



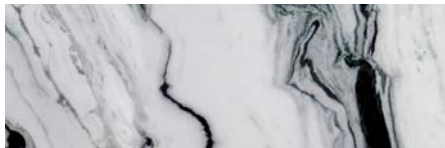
TERRAZZO GREY



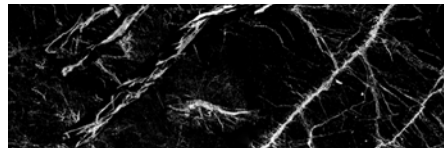
BRECCIA MARBLE



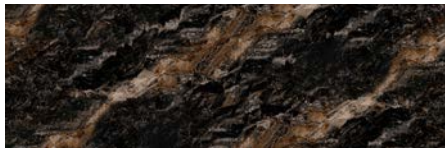
TERRAZZO ORANGE



PANDA MARBLE



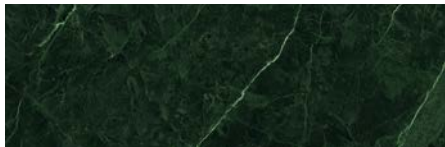
BLACK MARBLE



BLACK AND GOLD GRANITE



GRUNGE MARBLE



GREEN QUARTZ



BLUE GRANITE

PLEASE NOTE: The images are only a sampling of the colours. Order a physical colour sample to obtain an accurate representation of our acoustic colours.

COLOUR MATCH SERVICES

Can't find the tone you're looking for?

Hush Acoustics' felt Colour Match services enhance architectural projects with rich visuals and tactile appeal, whether for panels, murals, or other design applications. Our felt brings depth and sophistication to any space, offering a customizable and memorable design element that elevates the overall experience.

With advanced equipment, we produce high-resolution, colour-accurate results that capture subtle gradients and fine textures, all while maintaining acoustic performance. Every Colour Match is carefully managed by our Senior Graphic Designer to ensure that the final output closely aligns with the designer's original vision.

Commonly Matched Materials (matte finishes only):

Wall Paints

Dulux, Benjamin Moore, Behr, and other popular brands

Pantone® Hues

We simulate your company's brand tones using the Pantone® Uncoated palette

Fabric

From linen to wool, we match not just the colour, but also the texture in most of the cases

Stones

We can simulate a wide variety of stone types based on your needs

Wood Laminates

WilsonArt and other popular brands

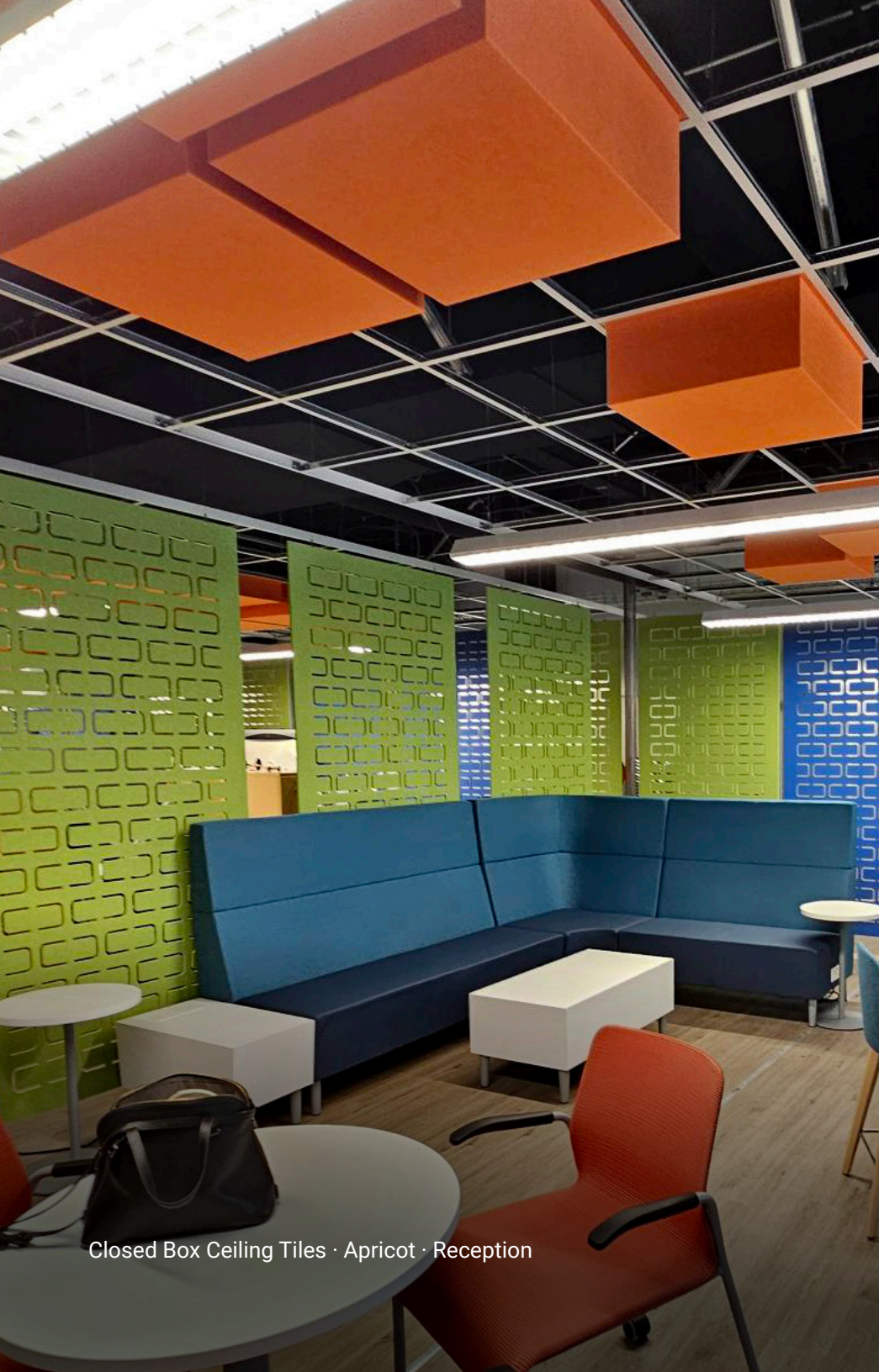
Generic Textures

Get in touch with our Acoustic Specialists, we will be glad to assist you

Learn More

COLOUR
MATCH SERVICES





Closed Box Ceiling Tiles · Apricot · Reception

hush. *acoustics*

Tailored for Architects,
Interior Designers, and
General Contractors, we serve
as a fast, expert, and reliable
partner for all your project ideas.

Quiet by Design



Proudly Made
in North America



2 Year
Limited Warranty



**GreenGuard Gold®
Certified**
All Hush products
exceed GreenGuard
Gold® indoor air
quality standards



**Fungal Resistant
Certified**
EMSL Canada verified
zero mold growth
for Hush P.E.T. felt
(ASTM C1338).

hello@hushacoustics.ca · 204.454.1950
31 Limestone Bay, Stonewall, MB
Canada · R0C 2Z0

Follow us on Instagram
@hush.acoustics



hushacoustics.ca