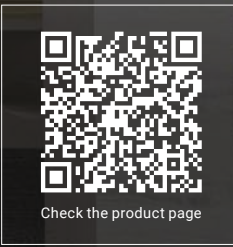




*hush.
acoustics*

Grid Ceiling Tiles

Spec Document



Check the product page

Quiet by Design



PixelGrid Ceiling Tiles · Teal on Polar Core · Reception

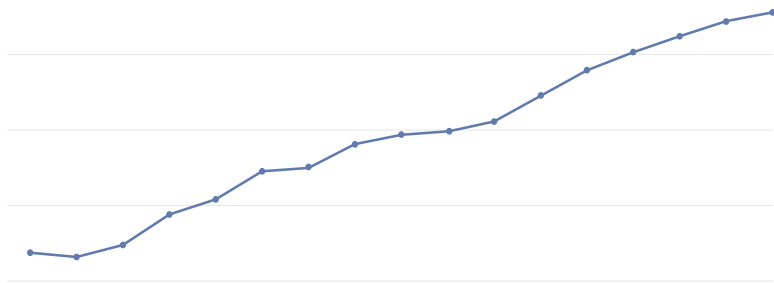
Grid Ceiling Tiles

Hush Ceiling Tiles offer an easy, effective, and tool-free way to improve acoustics in any open space.

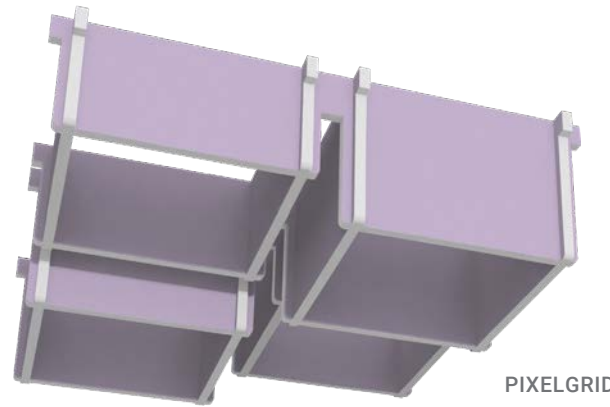
PRODUCT SPECIFICATIONS

Composition	100% PET (Polyethylene Terephthalate); 60% recycled material
Thickness	12mm
Product Placement	Ceiling
NRC	0.80 or 1.00
Fire Rating	CAN/ULC-S102 Class A ASTM E84 Class A
Sustainability	100% Recyclable
Warranty	2 Year Limited

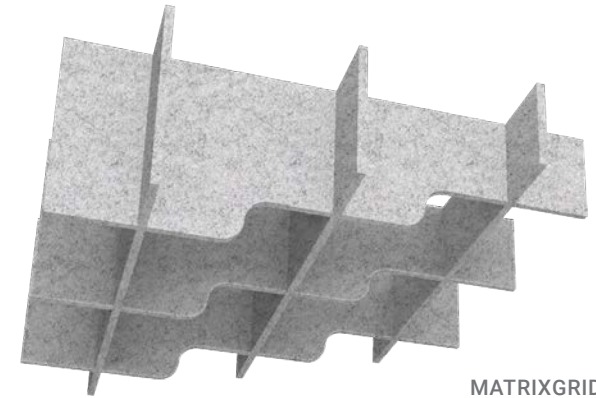
NOISE REDUCTION COEFFICIENT COMPARISON



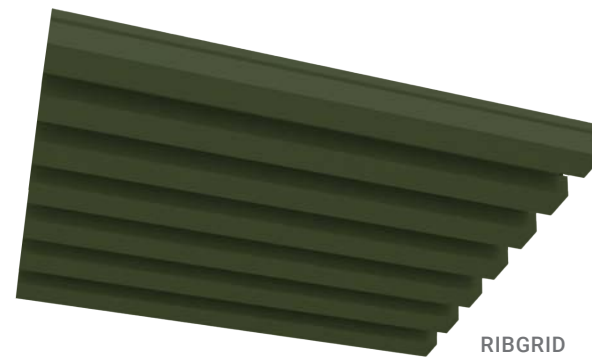
Full NRC comparison available upon request



PIXELGRID



MATRIXGRID



RIBGRID

Grid Ceiling Tiles

GREENGUARD® GOLD CERTIFICATION

Hush Acoustics has achieved full GreenGuard® Gold sustainability certification, a mark of excellence that ensures our products meet strict standards for low chemical emissions, promoting healthier indoor air quality.

This recognition gives architects, designers, and consumers confidence in choosing Hush for environmentally responsible solutions. Beyond sustainability, Hush's felt products offer excellent sound-absorbing properties, making them ideal for creating quieter, more comfortable spaces.

SUSTAINABILITY

Manufactured from 100% PET(60% recycled material), our felt products demonstrate our commitment to both environmental stewardship and functional design, contributing to a greener and quieter future. It comprising of flame-retardant fiber as new material ensuring ASTM E84 class A certification. The high strength of PET panels in comparison to its weight is the key to its superior energy efficiency.

FUNGAL RESISTANT

Independently tested by EMSL Canada, Hush P.E.T. felt showed zero mold growth under ASTM C1338 laboratory conditions, confirming exceptional durability.

WARRANTY

2 year limited warranty. See F.A.Q. page on our website for more information.

COMPLIMENTARY DOCUMENTATION



Environmental
Product Declaration



Felt
Maintenance Guide



Flame
Spread

See Resource Hub page on website for more documentation

PIXELGRID

mm

inches

605 x 605 x 165

23.8 x 23.8 x 6.5

MATRIXGRID

605 x 605 x 178

23.8 x 23.8 x 7

RIBGRID

605 x 605 x 25

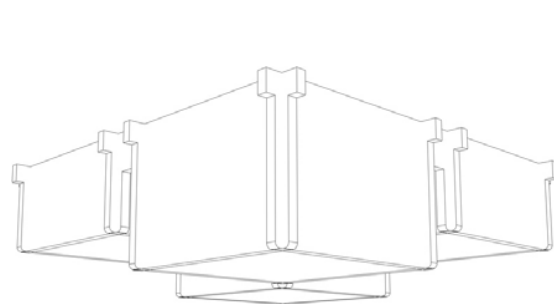
23.8 x 23.8 x 1

* Custom sizes available upon request

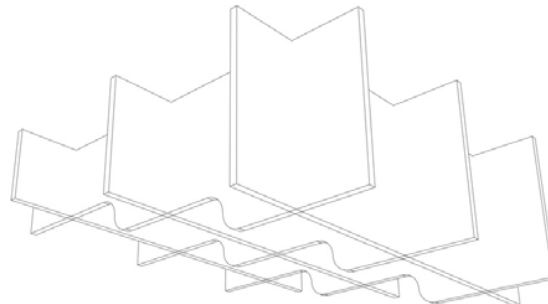
Grid Ceiling Tiles

HOW TO SPECIFY

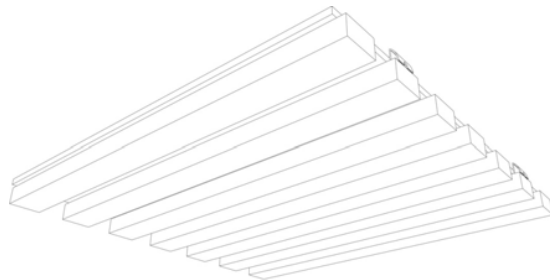
1. Select Design



PixelGrid



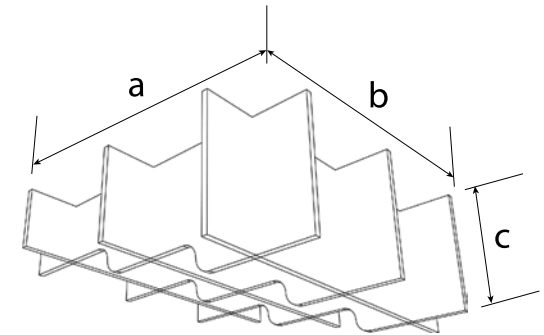
MatrixGrid



RibGrid

2. Select Size

See [page 4](#) for full size chart



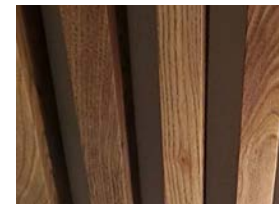
3. Select Colour



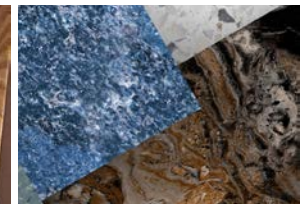
Element



Luxe Series



Wood Grains



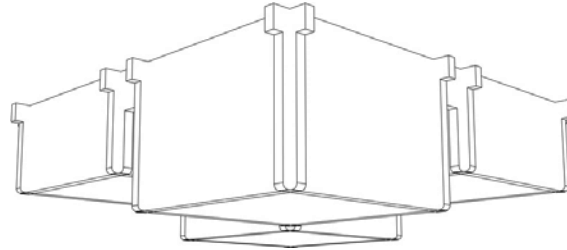
Concrete & Stone Grains

Grid Ceiling Tiles

INSTALLATION INSTRUCTIONS

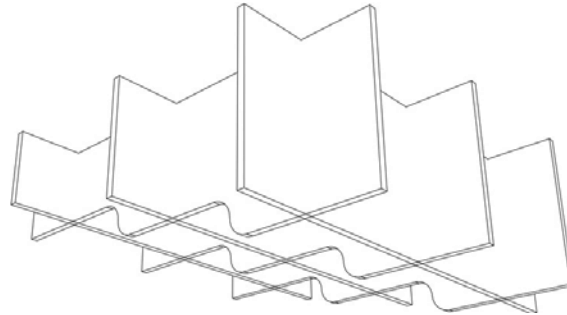
PixelGrid Ceiling Tile

Page 7



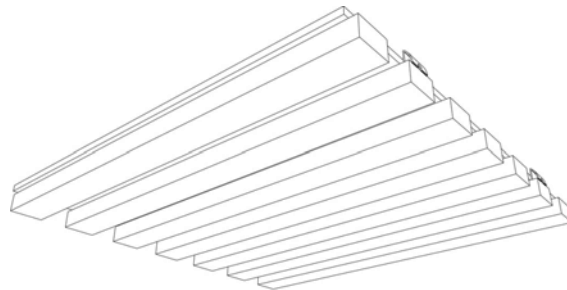
MatrixGrid Ceiling Tile

Page 8



RibGrid Ceiling Tile

Page 9

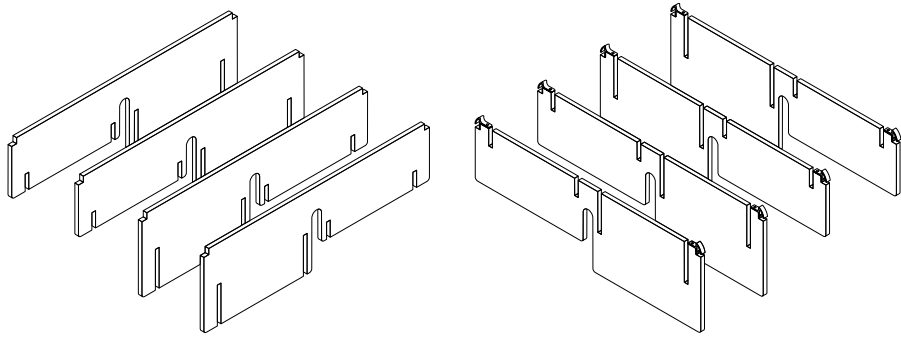


Grid Ceiling Tiles

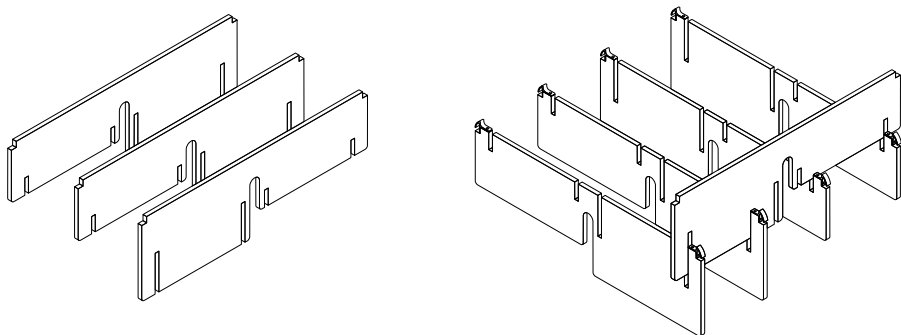
INSTALLATION INSTRUCTIONS · PIXELGRID CEILING TILE

1. Locate and arrange the upper and lower parts of the PixelDrop Ceiling Tile as shown below.

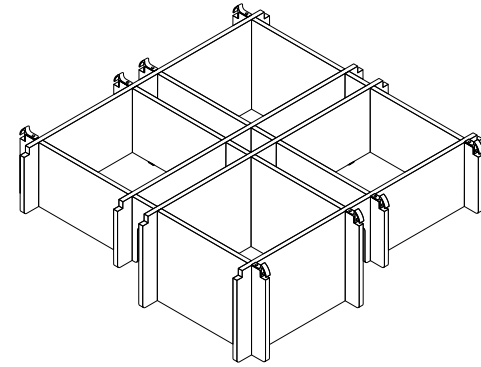
(Note; the lower parts will have hardware attached).



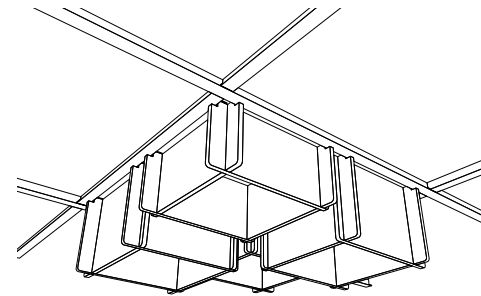
2. Begin inserting the upper baffle parts into the lower baffle parts by sliding the cut out slots into each other. Push firmly to ensure a secure connection.



3. Repeat this process for the remaining 3 upper sections to complete the Ceiling Tile.



4. Align the tile with the underside of your T-grid system, then push the tile into the grid to engage the plastic clips. Your tile is now installed.

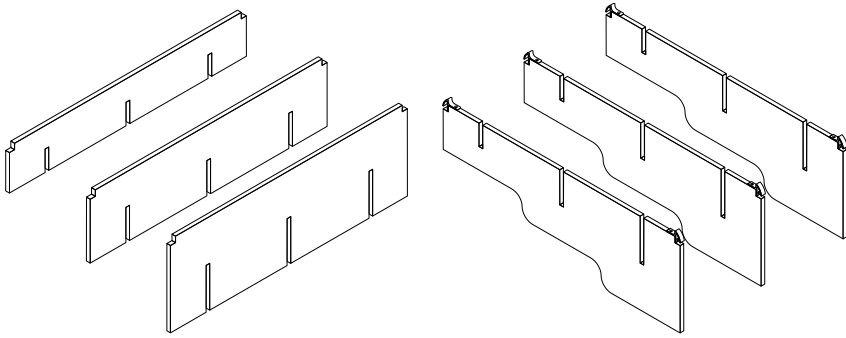


Grid Ceiling Tiles

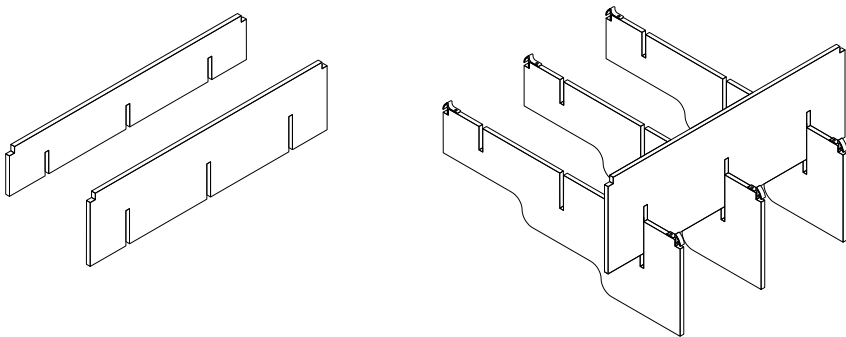
INSTALLATION INSTRUCTIONS · MATRIXGRID CEILING TILE

1. Locate and arrange the upper and lower parts of the MatrixDrop Ceiling Tile as shown below.

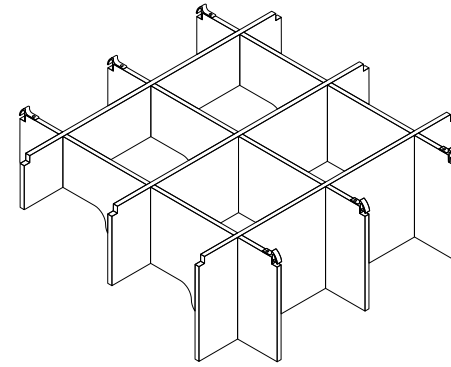
(Note; the lower parts will have hardware attached).



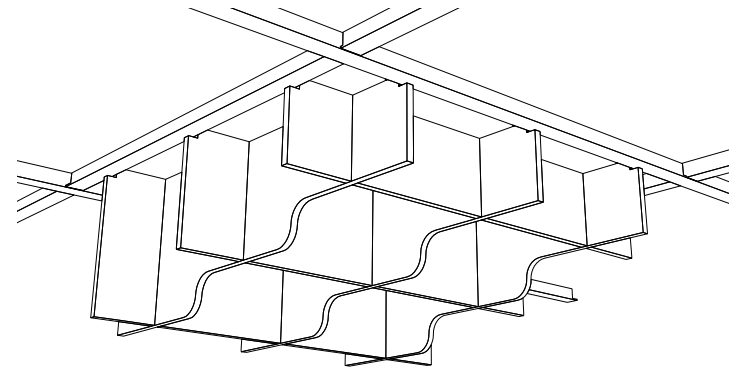
2. Begin inserting the upper baffle parts into the lower baffle parts by sliding the cut out slots into each other. Push firmly to ensure a secure connection.



3. Repeat this process for the remaining 3 upper sections to complete the Ceiling Tile.



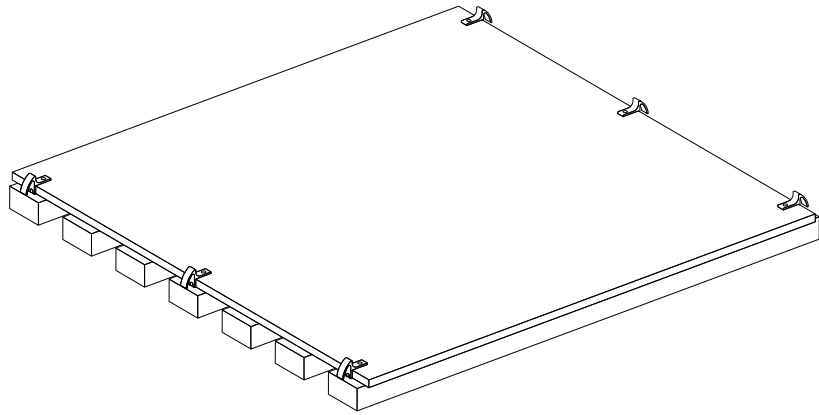
4. Align the tile with the underside of your T-grid system, then push the tile into the grid to engage the plastic clips. Your tile is now installed.



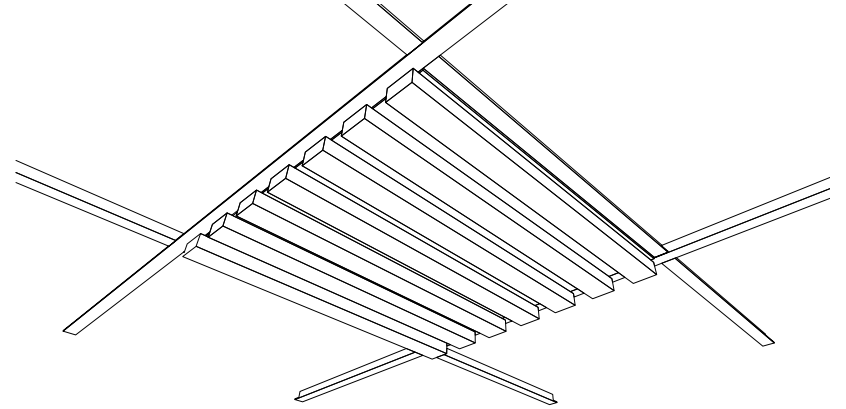
Grid Ceiling Tiles

INSTALLATION INSTRUCTIONS · RIBGRID CEILING TILE

1. Locate the RibGrid Ceiling Tile as shown below.
(Note; the hardware will be pre-attached to the tile).



2. Align the tile with the underside of your T-grid system, then push the tile into the grid to engage the plastic clips. Your tile is now installed. Repeat this process for the remaining 3 upper sections to complete the Ceiling Tile.



Colour Options

PLEASE NOTE: The images are only a sampling of the colours. Order a physical colour sample to obtain an accurate representation of our acoustic colours.

ELEMENT



SUNFLOWER



APRICOT



WINE



CHERRY



TAMARIND



SALMON



GOLD



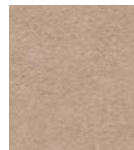
CARAMEL



CINNAMON



PEARL



MAPLE



MOCHA



MOSS



FORREST



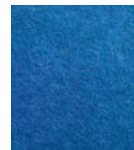
CRYSTAL



AQUAMARINE



LAPIS



OCEAN



LAKE



ICE



LILAC



CHARCOAL



SLATE



OYSTER



SHADOW



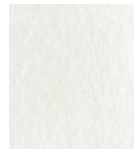
CASPER



FOG



SNOW



VANILLA

WOOD GRAINS



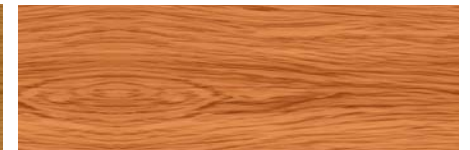
HONEY PINE



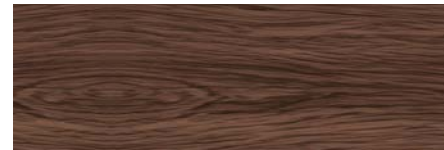
SAND



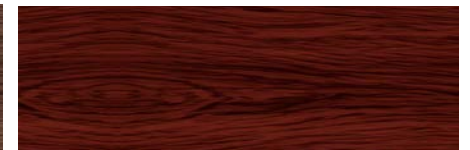
ANTIQUE OAK



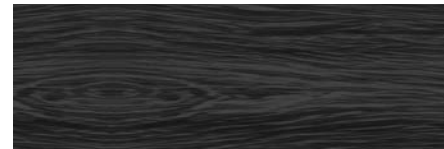
CHERRY



WALNUT



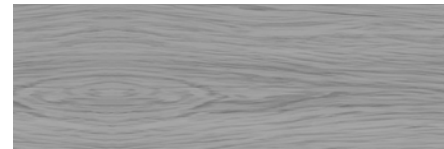
MAHOGANY



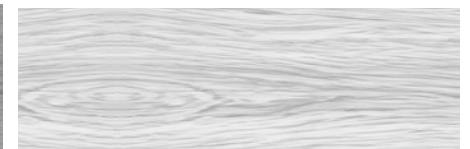
BLACK TEAK



ASHWOOD



GREY MAPLE



WHITEMIST

Colour Options (cont.)

PLEASE NOTE: The images are only a sampling of the colours. Order a physical colour sample to obtain an accurate representation of our acoustic colours.

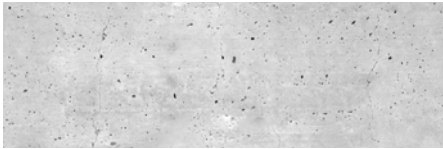
LUXE SERIES



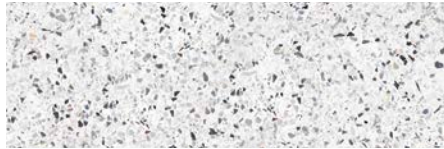
Colour Options (cont.)

PLEASE NOTE: The images are only a sampling of the colours. Order a physical colour sample to obtain an accurate representation of our acoustic colours.

CONCRETE & STONE GRAINS



CONCRETE



TERRAZZO GREY



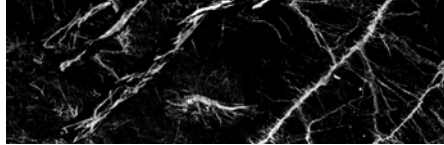
BRECCIA MARBLE



TERRAZZO ORANGE



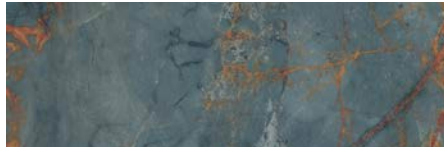
PANDA MARBLE



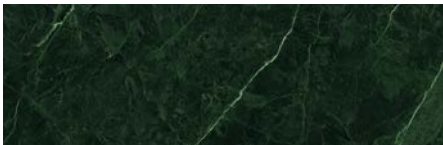
BLACK MARBLE



BLACK AND GOLD GRANITE



GRUNGE MARBLE



GREEN QUARTZ



BLUE GRANITE

COLOUR MATCH SERVICES

Can't find the tone you're looking for?

Hush Acoustics' felt Colour Match services enhance architectural projects with rich visuals and tactile appeal, whether for panels, murals, or other design applications. Our felt brings depth and sophistication to any space, offering a customizable and memorable design element that elevates the overall experience.

With advanced equipment, we produce high-resolution, colour-accurate results that capture subtle gradients and fine textures, all while maintaining acoustic performance. Every Colour Match is carefully managed by our Senior Graphic Designer to ensure that the final output closely aligns with the designer's original vision.

Commonly Matched Materials (matte finishes only):

Wall Paints

Dulux, Benjamin Moore, Behr, and other popular brands

Fabric

From linen to wool, we match not just the colour, but also the texture in most of the cases

Wood Laminates

WilsonArt and other popular brands

Pantone® Hues

We simulate your company's brand tones using the Pantone® Uncoated palette

Stones

We can simulate a wide variety of stone types based on your needs

Generic Textures

Get in touch with our Acoustic Specialists, we will be glad to assist you

Learn More

COLOUR
MATCH SERVICES





RibGrid Ceiling Tile · Mocha · Spa

hush. *acoustics*

Tailored for **Architects,**
Interior Designers, and
General Contractors, we serve
as a fast, expert, and reliable
partner for all your project ideas.

Quiet by Design



Proudly Made
in North America



2 Year
Limited Warranty



**GreenGuard Gold®
Certified**
All Hush products
exceed GreenGuard
Gold® indoor air
quality standards



**Fungal Resistant
Certified**
EMSL Canada verified
zero mold growth
for Hush P.E.T. felt
(ASTM C1338).

hello@hushacoustics.ca · 204.454.1950
31 Limestone Bay, Stonewall, MB
Canada · R0C 2Z0

Follow us on Instagram
@hush.acoustics



hushacoustics.ca