

*hush.
acoustics*

Specialty Ceiling Tiles

Spec Document



Check the product page

Quiet by Design



Surf Ceiling Tiles · Mocha · Restaurant

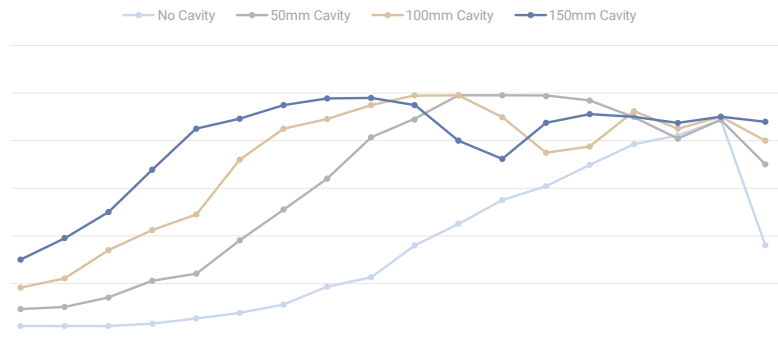
Specialty Ceiling Tiles

Hush Ceiling Tiles offer an easy, effective, and tool-free way to improve acoustics in any open space.

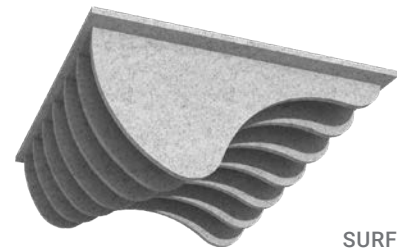
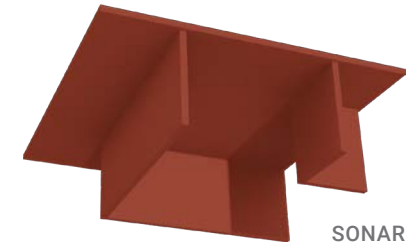
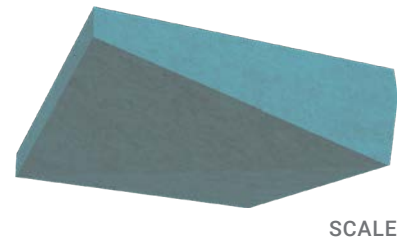
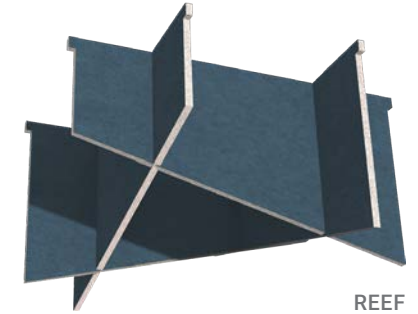
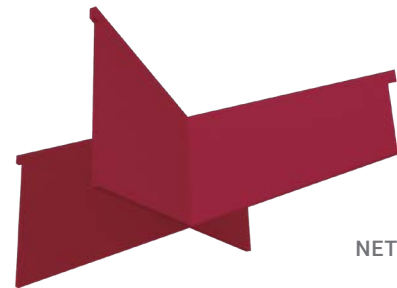
PRODUCT SPECIFICATIONS

Composition	100% PET (Polyethylene Terephthalate); 60% recycled material
Thickness	12mm
Product Placement	Ceiling
NRC	0.70 - 1.05
Fire Rating	CAN/ULC-S102 Class A ASTM E84 Class A
Sustainability	100% Recyclable
Warranty	2 Year Limited

NOISE REDUCTION COEFFICIENT COMPARISON



Full NRC comparison available upon request



Specialty Ceiling Tiles

GREENGUARD® GOLD CERTIFICATION

Hush Acoustics has achieved full GreenGuard® Gold sustainability certification, a mark of excellence that ensures our products meet strict standards for low chemical emissions, promoting healthier indoor air quality.

This recognition gives architects, designers, and consumers confidence in choosing Hush for environmentally responsible solutions. Beyond sustainability, Hush's felt products offer excellent sound-absorbing properties, making them ideal for creating quieter, more comfortable spaces.

SUSTAINABILITY

Manufactured from 100% PET(60% recycled material), our felt products demonstrate our commitment to both environmental stewardship and functional design, contributing to a greener and quieter future. It comprising of flame-retardant fiber as new material ensuring ASTM E84 class A certification. The high strength of PET panels in comparison to its weight is the key to its superior energy efficiency.

FUNGAL RESISTANT

Independently tested by EMSL Canada, Hush P.E.T. felt showed zero mold growth under ASTM C1338 laboratory conditions, confirming exceptional durability.

WARRANTY

2 year limited warranty. See F.A.Q. page on our website for more information.

COMPLIMENTARY DOCUMENTATION



Environmental
Product Declaration



Felt
Maintenance Guide



Flame
Spread

See Resource Hub page on website for more documentation

FISHTAIL

<i>mm</i>	<i>inches</i>
605 x 605 x 175	23.8 x 23.8 x 7

NET

605 x 605 x 300	23.8 x 23.8 x 11.8
-----------------	--------------------

SCALE

605 x 605 x 200	23.8 x 23.8 x 8
-----------------	-----------------

SURF

605 x 605 x 250	23.8 x 23.8 x 9.8
-----------------	-------------------

HYDRA

<i>mm</i>	<i>inches</i>
605 x 605 x 180	23.8 x 23.8 x 7

REEF

605 x 605 x 250	23.8 x 23.8 x 9.8
-----------------	-------------------

SONAR

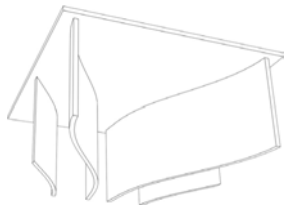
605 x 605 x 175	23.8 x 23.8 x 8
-----------------	-----------------

* Custom sizes available upon request

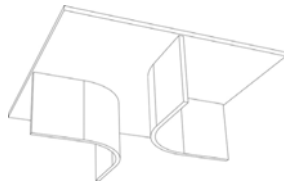
Specialty Ceiling Tiles

HOW TO SPECIFY

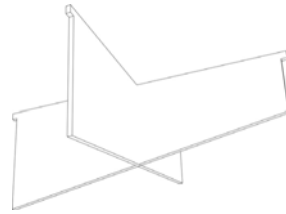
1. Select Design



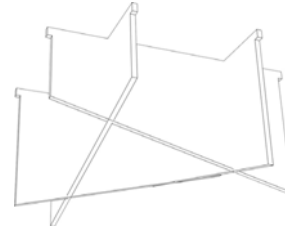
FishTail



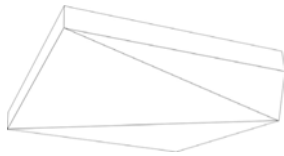
Hydra



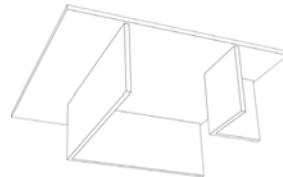
Net



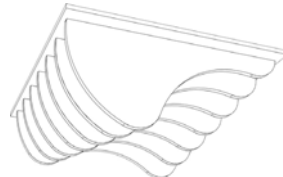
Reef



Scale



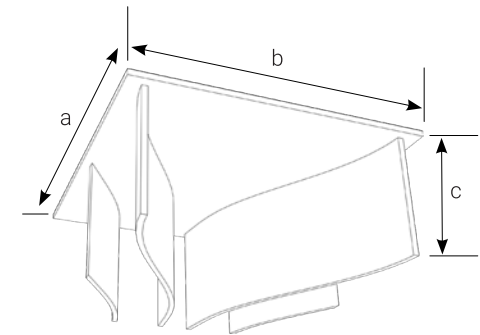
Sonar



Surf

2. Select Size

See [page 4](#) for full size chart



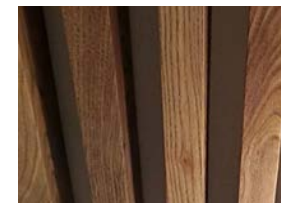
3. Select Colour



Element



Luxe Series



Wood Grains



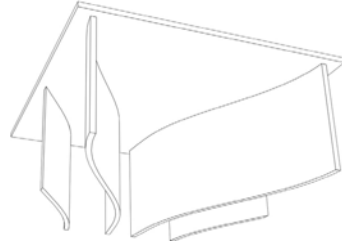
Concrete & Stone Grains

Specialty Ceiling Tiles

INSTALLATION INSTRUCTIONS

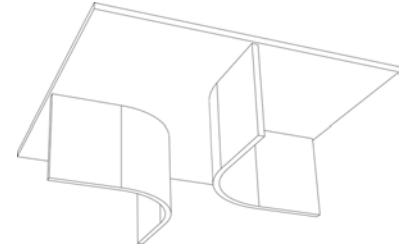
FishTail Ceiling Tile

Page 7



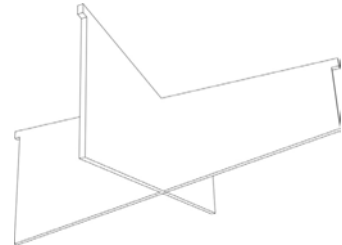
Hydra Ceiling Tile

Page 8



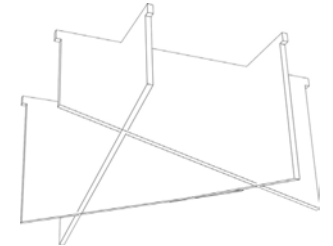
Net Ceiling Tile

Page 9



Reef Ceiling Tile

Pages 10-11



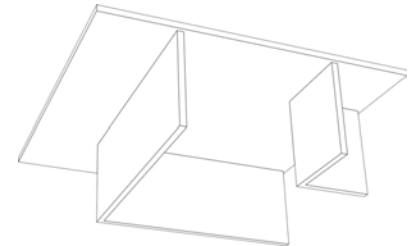
Scale Ceiling Tile

Page 12



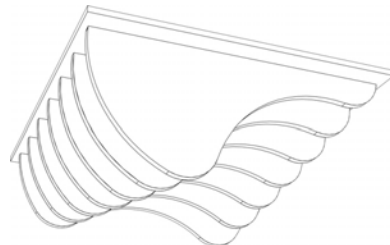
Sonar Ceiling Tile

Page 13



Surf Ceiling Tile

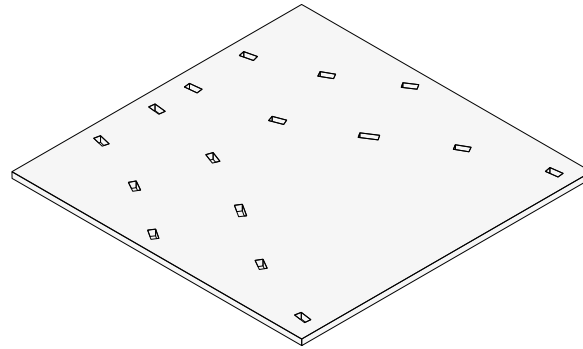
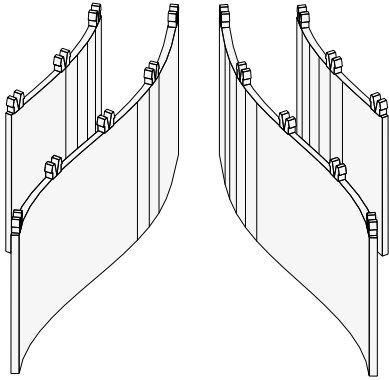
Pages 14-15



Specialty Ceiling Tiles

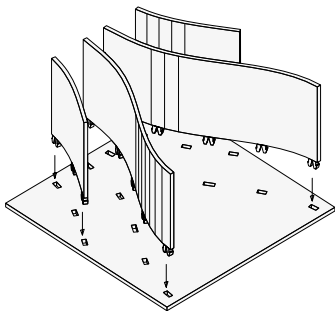
INSTALLATION INSTRUCTIONS · FISHTAIL CEILING TILE

1. Locate the FishTail tile parts. There is a total of 5 pieces per tile set, four baffles and one back panel.

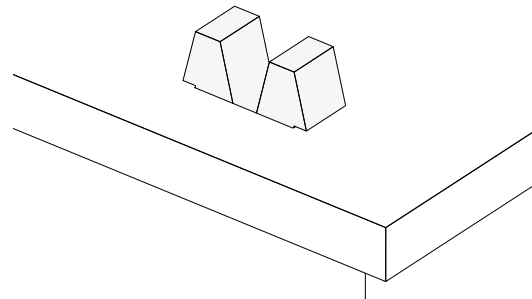


2. Insert the baffle sections into the tile back panel as shown in the image below.

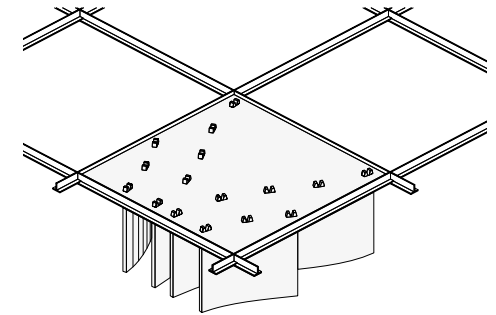
Note that the kerf-cuts on the baffles should always be on the outside of a curve.



3. Ensure that all the tabs protruding through the back panel are in the open and "locked" position as shown in the detail below.

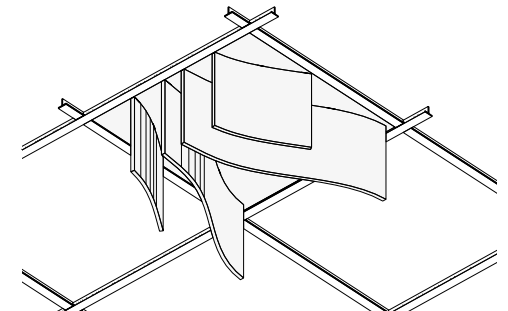


4. The assembly of the FishTail ceiling tile is now complete, the tile can be placed into your T-grid system.



5. Your tile install is now complete.

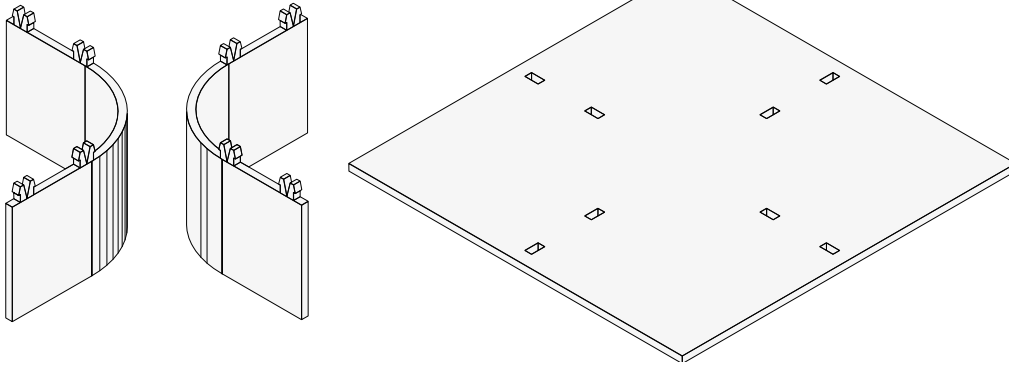
Please note that the tile can be rotated as required to suit the install layout.



Specialty Ceiling Tiles

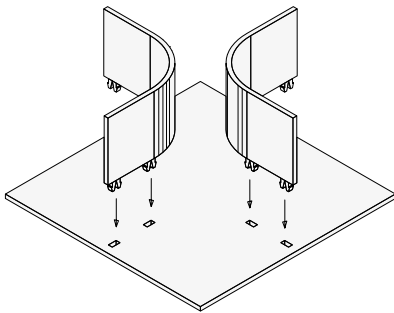
INSTALLATION INSTRUCTIONS · HYDRA CEILING TILE

1. Locate the Hydra tile parts. There is a total of 3 pieces per tile set, two baffles and one back panel.

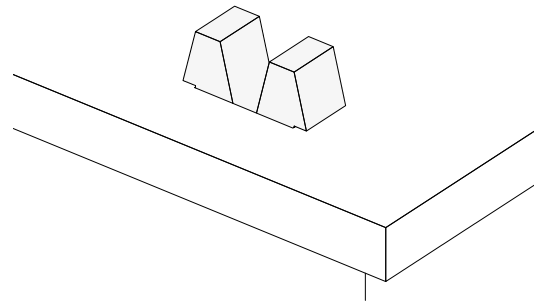


2. Insert the baffle sections into the tile back panel as shown in the image below.

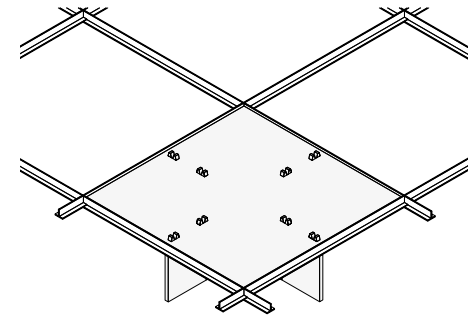
Note that the kerf-cuts on the baffles should always be on the outside of a curve.



3. Ensure that all the tabs protruding through the back panel are in the open and "locked" position as shown in the detail below.

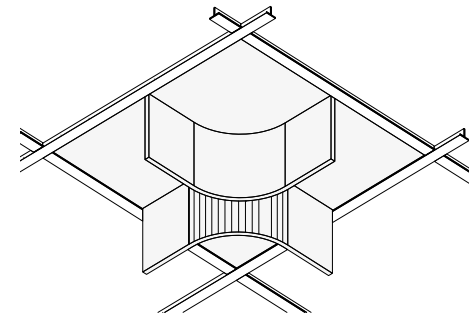


4. The assembly of the Hydra ceiling tile is now complete, the tile can be placed into your T-grid system.



5. Your tile install is now complete.

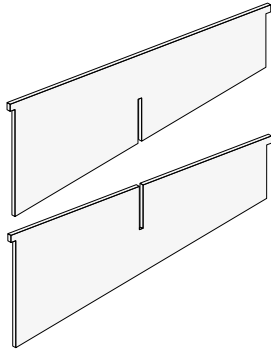
Please note that the tile can be rotated as required to suit the install layout.



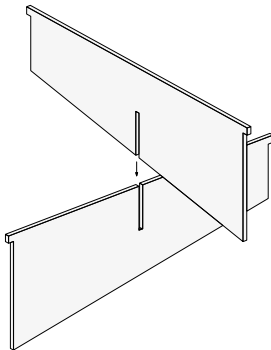
Specialty Ceiling Tiles

INSTALLATION INSTRUCTIONS · NET CEILING TILE

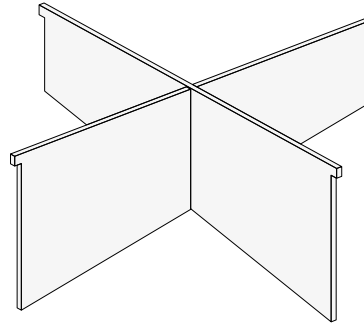
1. Locate the Net tile parts. There is a total of 2 baffle pieces per set, an upper and a lower.



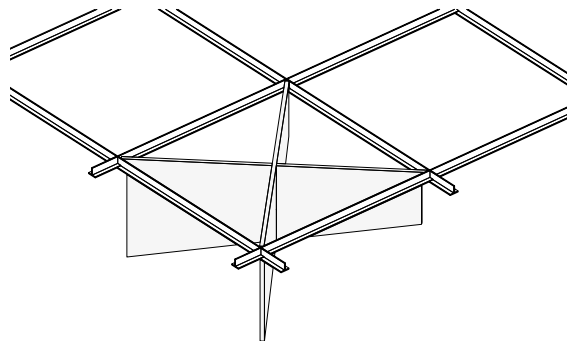
2. Insert the upper baffle section into the lower baffle section as shown in the image below.



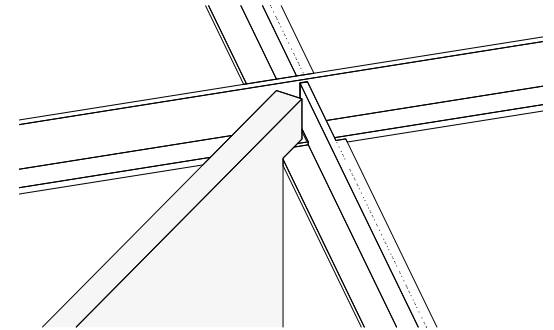
3. Ensure that the two baffle parts are fully interlocked – the top edge where the baffles meet should be flush as shown in the image below.



4. The assembly of the Net ceiling tile is now complete, the tile can be placed into your T-grid system.

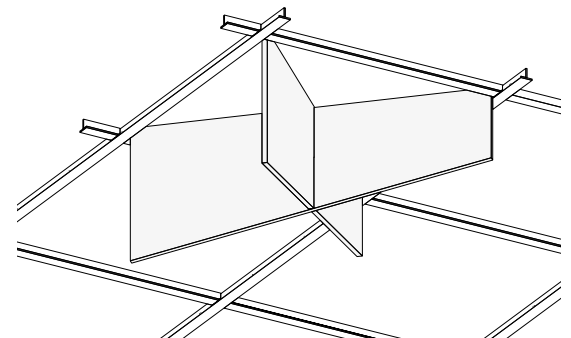


5. Check to ensure that the end of each baffle is seated in the corner of the T-grid intersection as shown below.



6. Your tile install is now complete.

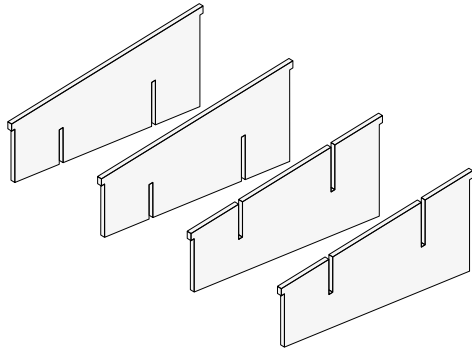
Please note that the tile can be rotated as required to suit the install layout.



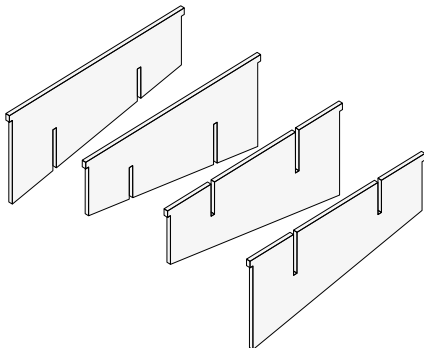
Specialty Ceiling Tiles

INSTALLATION INSTRUCTIONS · REEF CEILING TILE

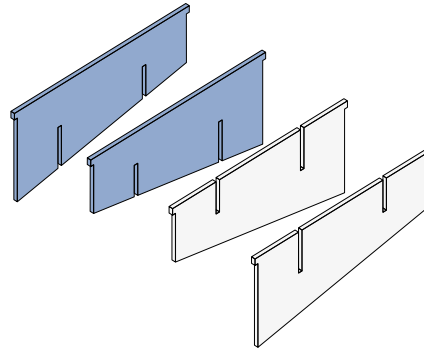
1. Locate the Reef tile parts. There is a total of 4 baffle pieces per set, two upper and two lower.



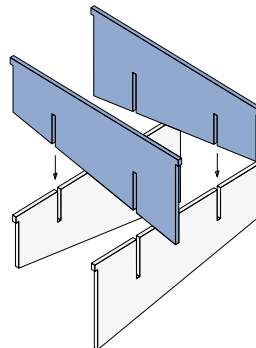
2. Arrange and rotate the baffle pieces in the same way as shown below.



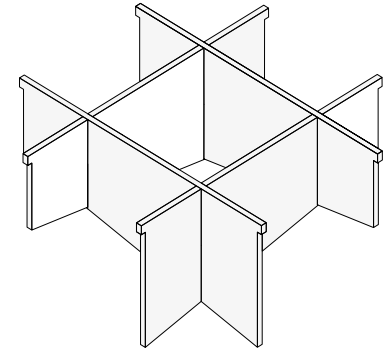
3. Identify the two upper baffle sections as shown in the blue in the image below.



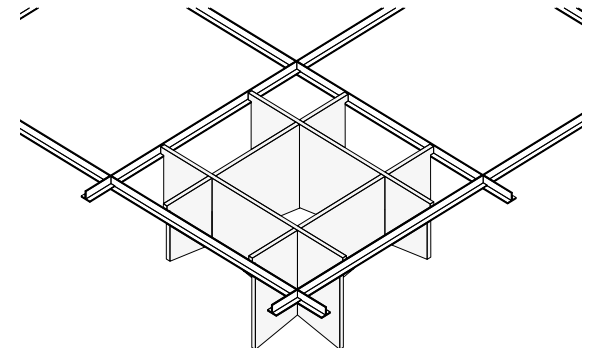
4. Insert the upper baffle section into the lower baffle section.



5. Ensure that the two baffle parts are fully interlocked – the top edge where the baffles meet should be flush as shown in the image below.



6. The assembly of the Reef ceiling tile is now complete, the tile can be placed into your T-grid system.

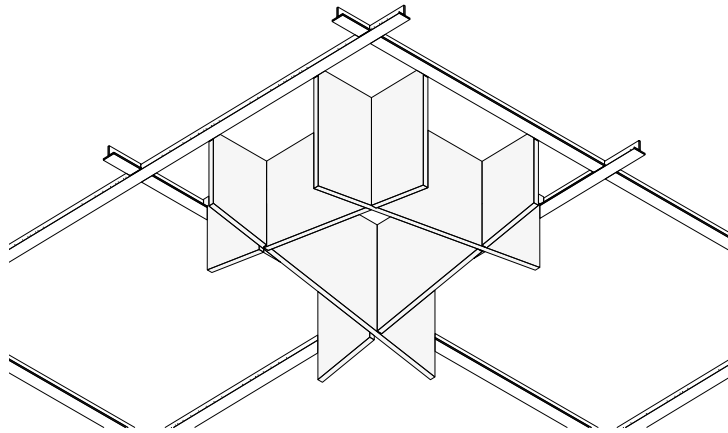


Specialty Ceiling Tiles

INSTALLATION INSTRUCTIONS · REEF CEILING TILE (CONT.)

7. Your tile install is now complete.

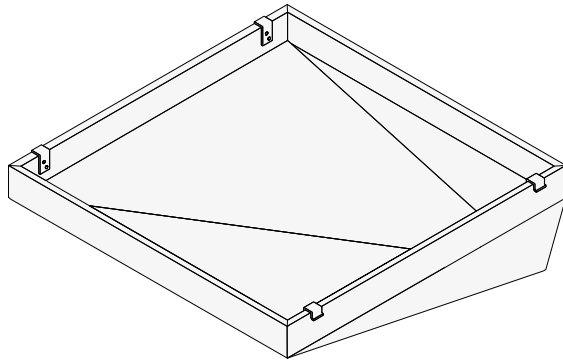
Please note that the tile can be rotated as required to suit the install layout.



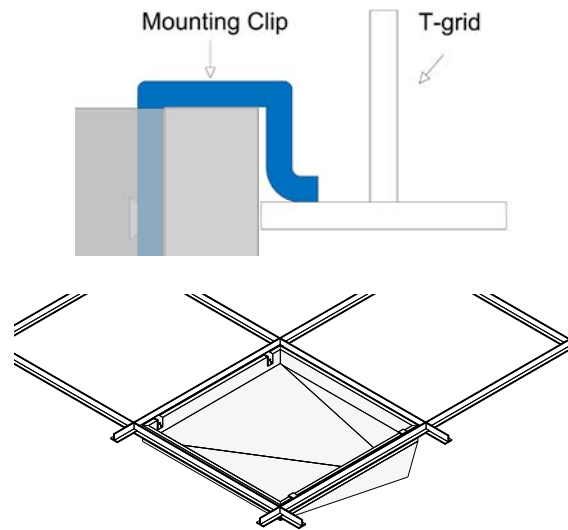
Specialty Ceiling Tiles

INSTALLATION INSTRUCTIONS · SCALE CEILING TILE

1. Locate the Scale tile.

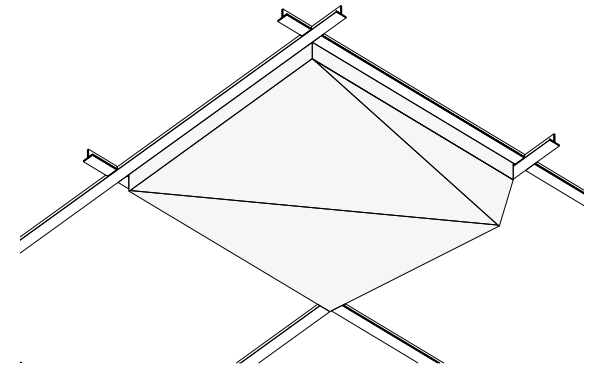


2. Place the Scale tile into your T-grid ceiling system, ensuring that the mounting clips are sitting on the horizontal portion of the T-grid system as shown in the cross-section image below.



3. Your tile install is now complete.

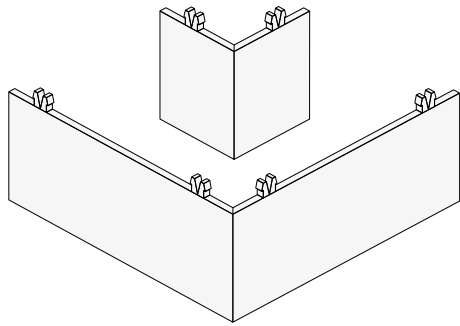
Please note that the tile can be rotated as required to suit the install layout.



Specialty Ceiling Tiles

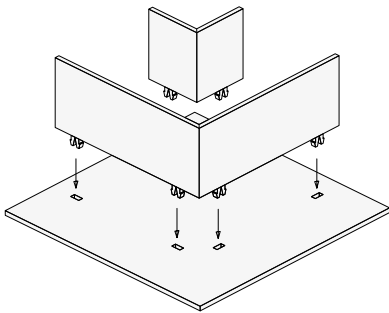
INSTALLATION INSTRUCTIONS · SONAR CEILING TILE

1. Locate the Sonar tile parts. There is a total of 3 pieces per tile set, two baffles and one back panel.

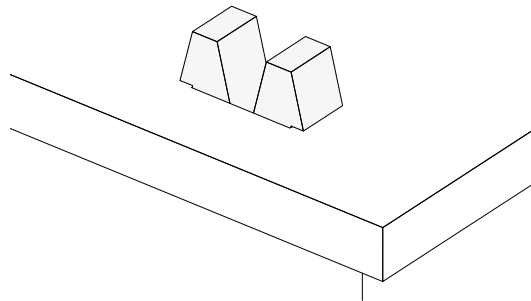


2. Insert the baffle sections into the tile back panel as shown in the image below.

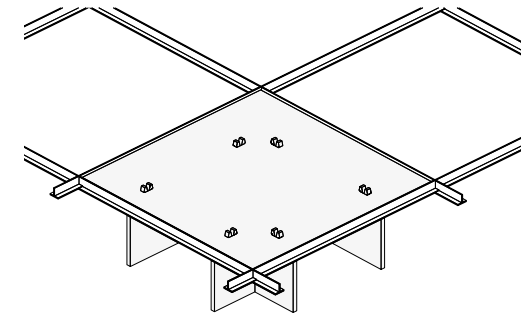
Note that the bevel-cuts on the baffles should always be on the inside of the baffle corner.



3. Ensure that all the tabs protruding through the back panel are in the open and "locked" position as shown in the detail below.

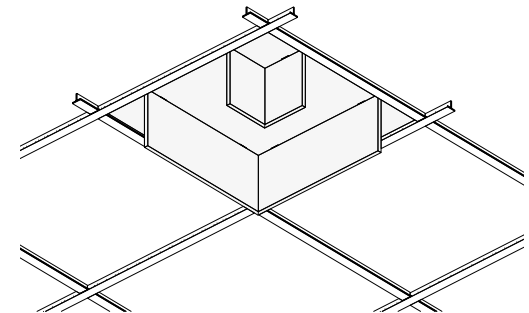


4. The assembly of the Sonar ceiling tile is now complete, the tile can be placed into your T-grid system.



5. Your tile install is now complete.

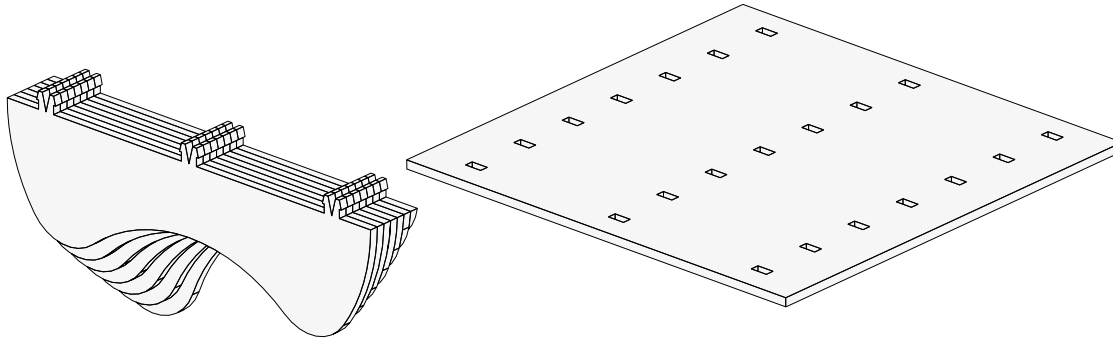
Please note that the tile can be rotated as required to suit the install layout.



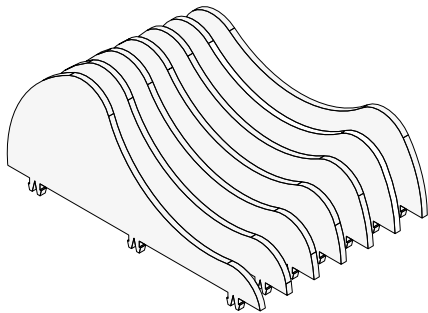
Specialty Ceiling Tiles

INSTALLATION INSTRUCTIONS · SURF CEILING TILE

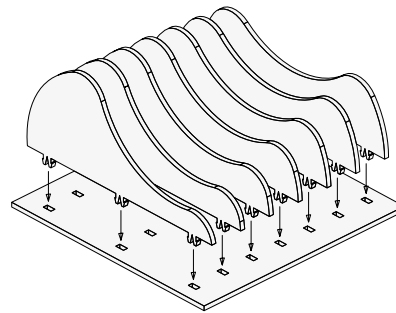
1. Locate the Surf tile parts. There is a total of eight pieces per set, seven baffles and one back panel.



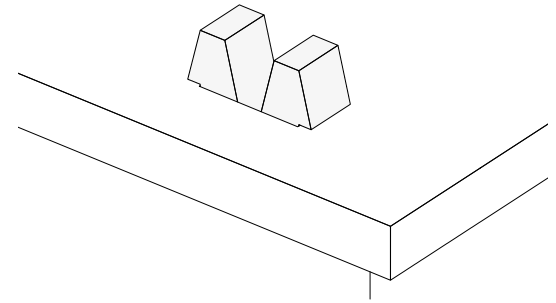
2. Arrange and rotate the baffle pieces to match the sequence as shown below.



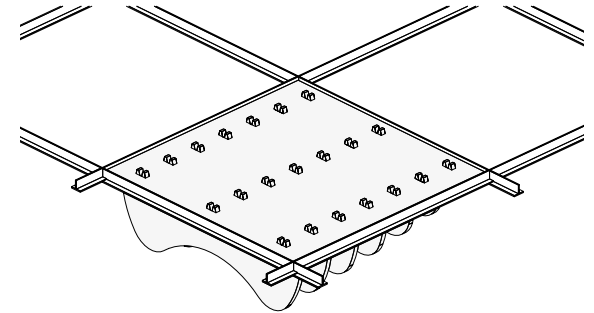
3. Insert the upper baffle section into the tile back panel.



4. Ensure that all the tabs protruding through the back panel are in the open and “locked” position as shown in the detail below.



5. The assembly of the Surf ceiling tile is now complete, the tile can be placed into your T-grid system.

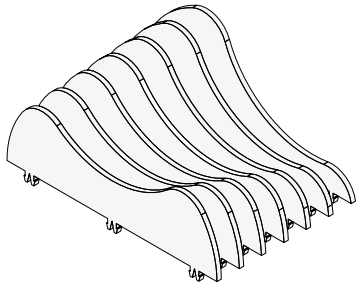


Specialty Ceiling Tiles

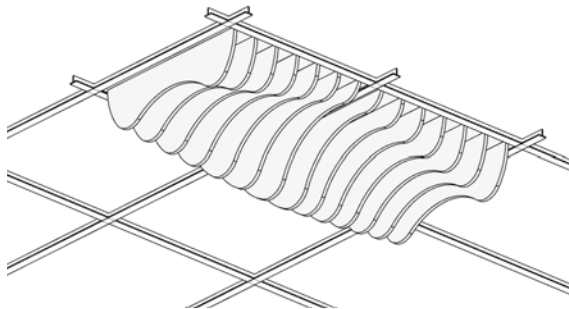
INSTALLATION INSTRUCTIONS · SURF CEILING TILE (CONT.)

6. For the second tile, while repeating steps 1-5, be sure to reverse the pattern shown in step 2 to create a continuing wave formation from tile to tile.

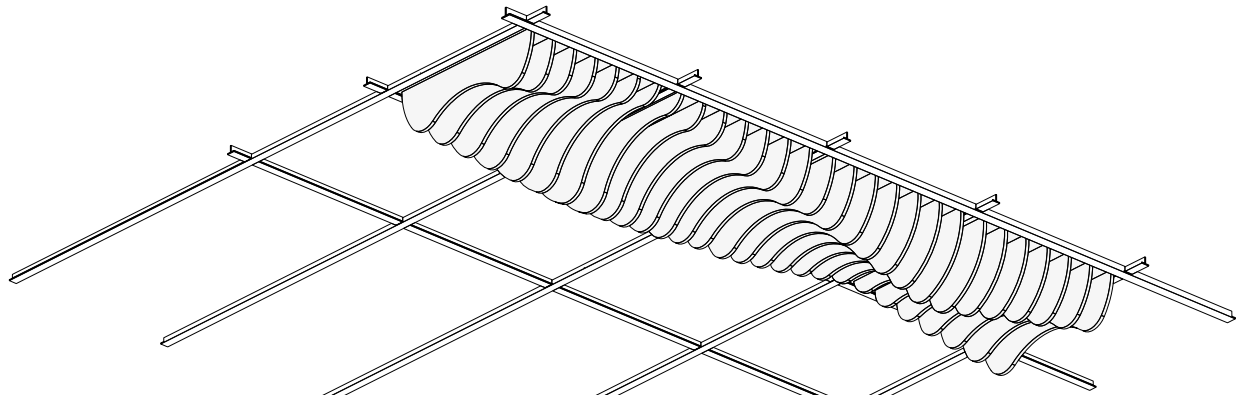
Image below shows the reversed sequence of baffles.



7. Your first two tiles should create the pattern shown below.



8. For the third and fourth tile, repeat the same steps shown in steps 1-6, but also rotate these two tiles 180 degrees to create the pattern shown below. Now repeat steps 2-8 for the remaining tiles to complete the full installation.



Colour Options

PLEASE NOTE: The images are only a sampling of the colours. Order a physical colour sample to obtain an accurate representation of our acoustic colours.

ELEMENT



SUNFLOWER



APRICOT



WINE



CHERRY



TAMARIND



SALMON



GOLD



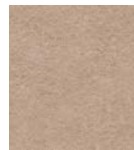
CARAMEL



CINNAMON



PEARL



MAPLE



MOCHA



MOSS



FORREST



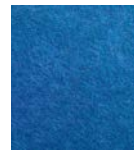
CRYSTAL



AQUAMARINE



LAPIS



OCEAN



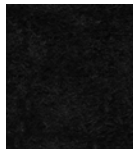
LAKE



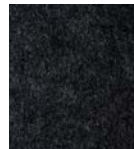
ICE



LILAC



CHARCOAL



SLATE



OYSTER



SHADOW



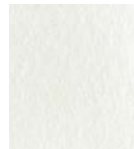
CASPER



FOG



SNOW



VANILLA

WOOD GRAINS



HONEY PINE



SAND



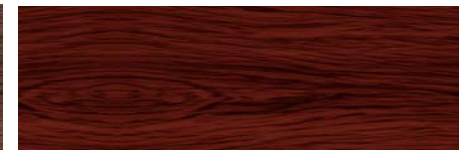
ANTIQUE OAK



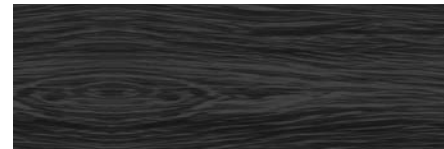
CHERRY



WALNUT



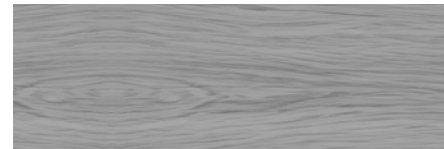
MAHOGANY



BLACK TEAK



ASHWOOD



GREY MAPLE



WHITEMIST

Colour Options (cont.)

PLEASE NOTE: The images are only a sampling of the colours. Order a physical colour sample to obtain an accurate representation of our acoustic colours.

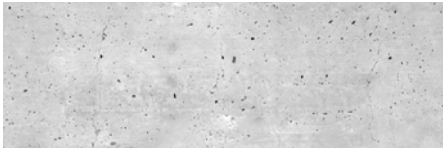
LUXE SERIES



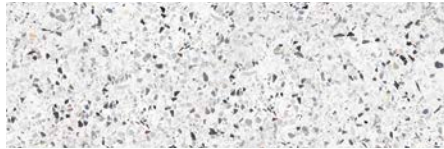
Colour Options (cont.)

PLEASE NOTE: The images are only a sampling of the colours. Order a physical colour sample to obtain an accurate representation of our acoustic colours.

CONCRETE & STONE GRAINS



CONCRETE



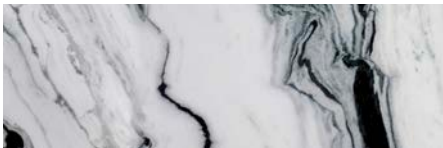
TERRAZZO GREY



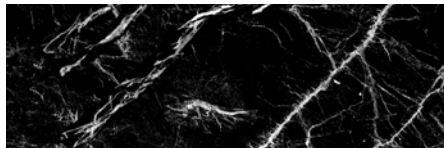
BRECCIA MARBLE



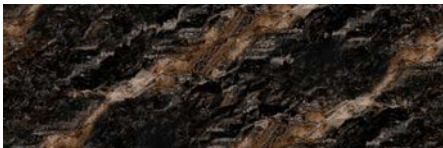
TERRAZZO ORANGE



PANDA MARBLE



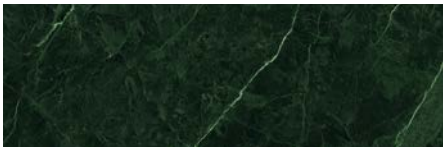
BLACK MARBLE



BLACK AND GOLD GRANITE



GRUNGE MARBLE



GREEN QUARTZ



BLUE GRANITE

COLOUR MATCH SERVICES

Can't find the tone you're looking for?

Hush Acoustics' felt Colour Match services enhance architectural projects with rich visuals and tactile appeal, whether for panels, murals, or other design applications. Our felt brings depth and sophistication to any space, offering a customizable and memorable design element that elevates the overall experience.

With advanced equipment, we produce high-resolution, colour-accurate results that capture subtle gradients and fine textures, all while maintaining acoustic performance. Every Colour Match is carefully managed by our Senior Graphic Designer to ensure that the final output closely aligns with the designer's original vision.

Commonly Matched Materials (matte finishes only):

Wall Paints

Dulux, Benjamin Moore, Behr, and other popular brands

Pantone® Hues

We simulate your company's brand tones using the Pantone® Uncoated palette

Fabric

From linen to wool, we match not just the colour, but also the texture in most of the cases

Stones

We can simulate a wide variety of stone types based on your needs

Wood Laminates

WilsonArt and other popular brands

Generic Textures

Get in touch with our Acoustic Specialists, we will be glad to assist you

Learn More

COLOUR
MATCH SERVICES





Net Ceiling Tiles · Antique Oak Wood Grain on Mocha · Lobby

hush. *acoustics*

Tailored for Architects,
Interior Designers, and
General Contractors, we serve
as a fast, expert, and reliable
partner for all your project ideas.

Quiet by Design



Proudly Made
in North America



2 Year
Limited Warranty



**GreenGuard Gold®
Certified**
All Hush products
exceed GreenGuard
Gold® indoor air
quality standards



**Fungal Resistant
Certified**
EMSL Canada verified
zero mold growth
for Hush P.E.T. felt
(ASTM C1338).

hello@hushacoustics.ca · 204.454.1950
31 Limestone Bay, Stonewall, MB
Canada · R0C 2Z0

Follow us on Instagram
@hush.acoustics



hushacoustics.ca