

hush.
acoustics

Tegular Ceiling Tiles

Spec Document



Check the category page

Quiet by Design

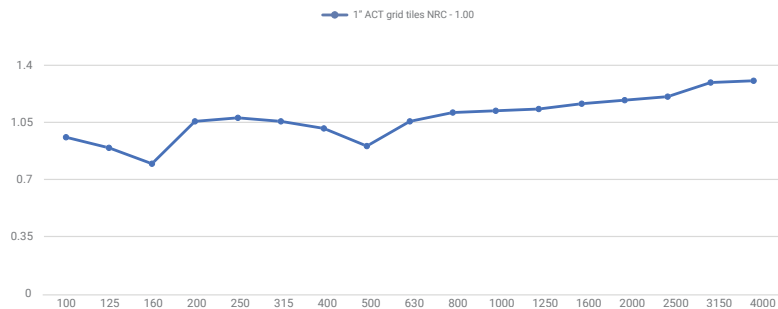
Tegular Ceiling Tiles

Hush Ceiling Tiles offer an easy, effective, and tool-free way to improve acoustics in any open space.

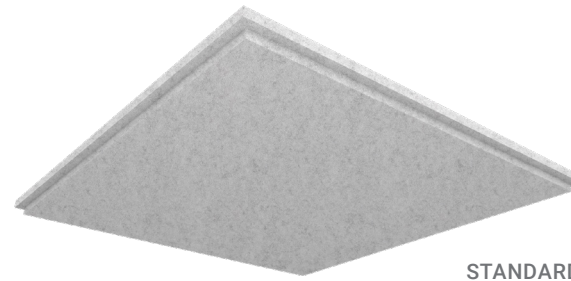
PRODUCT SPECIFICATIONS

Composition	100% PET (Polyethylene Terephthalate); 60% recycled material
Thickness	24 mm
Product Placement	Ceiling
NRC	1.00
Fire Rating	CAN/ULC-S102 Class A ASTM E84 Class A
Sustainability	100% Recyclable
Warranty	2 Year Limited

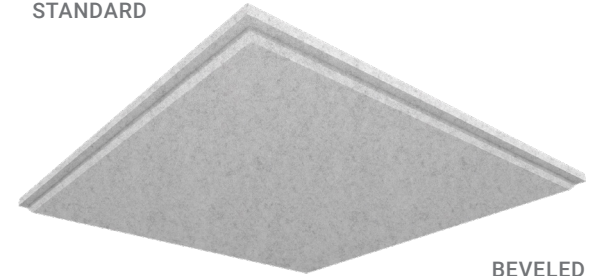
NOISE REDUCTION COEFFICIENT COMPARISON



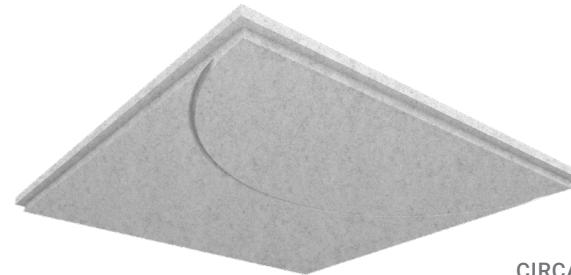
Full NRC comparison available upon request



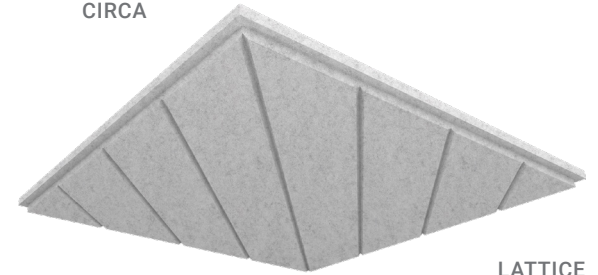
STANDARD



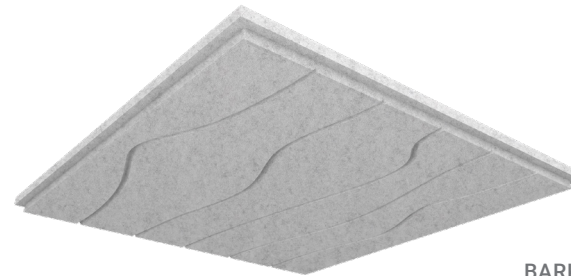
BEVELED



CIRCA



LATTICE



BARK

Tegular Ceiling Tiles

GREENGUARD® GOLD CERTIFICATION

Hush Acoustics has achieved full GreenGuard® Gold sustainability certification, a mark of excellence that ensures our products meet strict standards for low chemical emissions, promoting healthier indoor air quality.

This recognition gives architects, designers, and consumers confidence in choosing Hush for environmentally responsible solutions. Beyond sustainability, Hush's felt products offer excellent sound-absorbing properties, making them ideal for creating quieter, more comfortable spaces.

SUSTAINABILITY

Manufactured from 100% PET(60% recycled material), our felt products demonstrate our commitment to both environmental stewardship and functional design, contributing to a greener and quieter future. It comprising of flame-retardant fiber as new material ensuring ASTM E84 class A certification. The high strength of PET panels in comparison to its weight is the key to its superior energy efficiency.

FUNGAL RESISTANT

Independently tested by EMSL Canada, Hush P.E.T. felt showed zero mold growth under ASTM C1338 laboratory conditions, confirming exceptional durability.

WARRANTY

2 year limited warranty. See F.A.Q. page on our website for more information.

COMPLIMENTARY DOCUMENTATION



Environmental
Product Declaration



Felt
Maintenance Guide



Flame
Spread

See Resource Hub page on website for more documentation

TEGULAR CEILING TILES

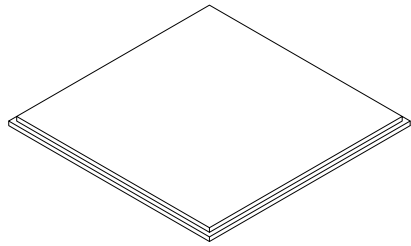
<i>mm</i>	<i>inches</i>
605 x 605 x 24	23.8 x 23.8 x 1
605 x 1214 x 24	23.8 x 47.8 x 1
605 x 1823 x 24	23.8 x 71.8 x 1
605 x 2433 x 24	23.8 x 95.8 x 1

* Custom sizes available upon request

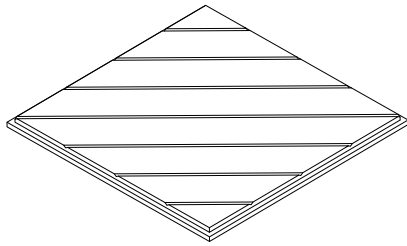
Tegular Ceiling Tiles

HOW TO SPECIFY

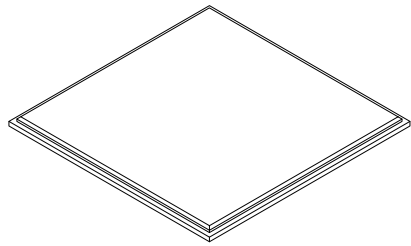
1. Select Design



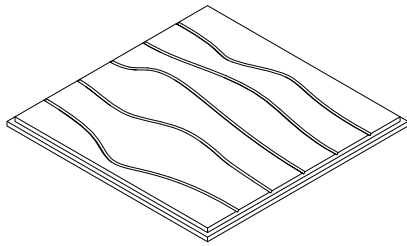
Standard



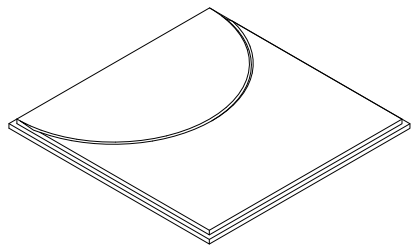
Etch



Bevel



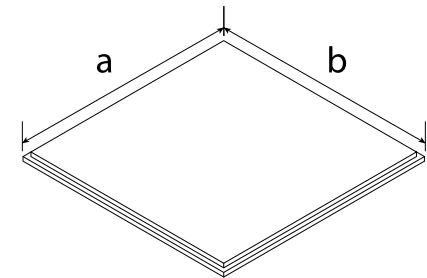
Bark



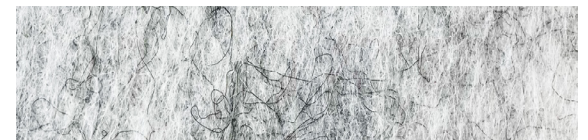
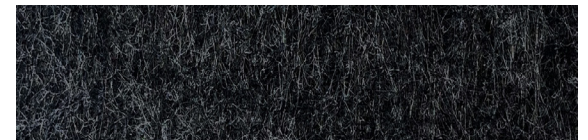
Circa

2. Select Size

See [page 3](#) for full size chart



3. Select Colour

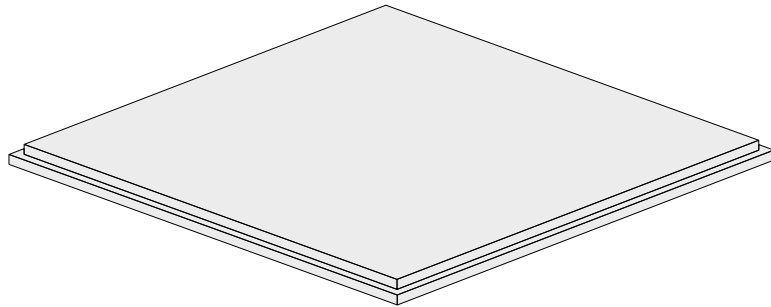


Stocked Colours

Tegular Ceiling Tiles

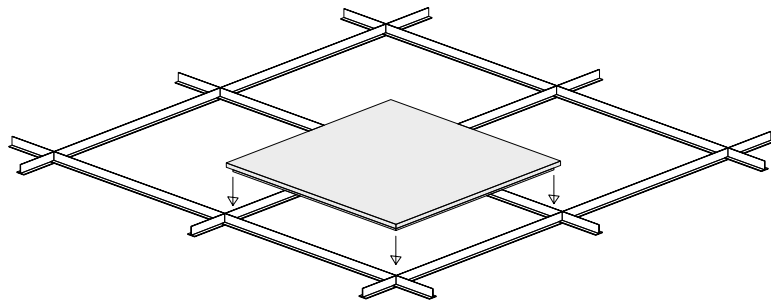
INSTALLATION INSTRUCTIONS

1. Locate the Tegular tile(s).

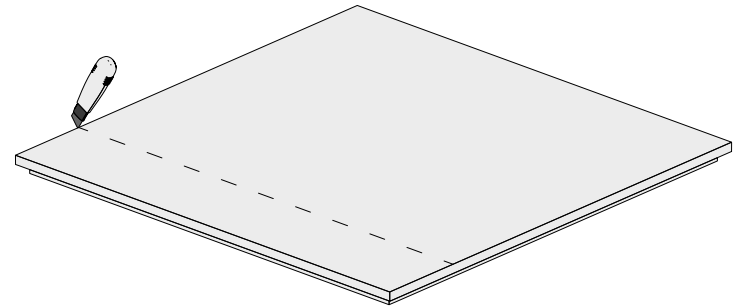


2. Place the tile into the T-grid ceiling as shown below.

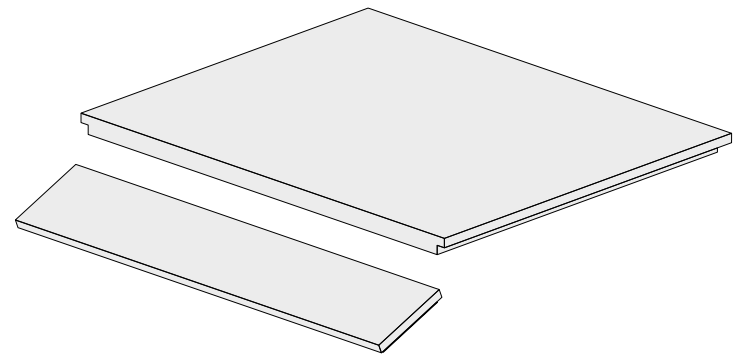
(Please note: If your tile has an etched design/pattern in the underside of the tile, install according to design layout for your project.)



3. **For on-site cutting of a Tegular Tile:** If your tile needs to be cut/re-sized on-site, use a sharp utility knife to cut the tile to the desired size.



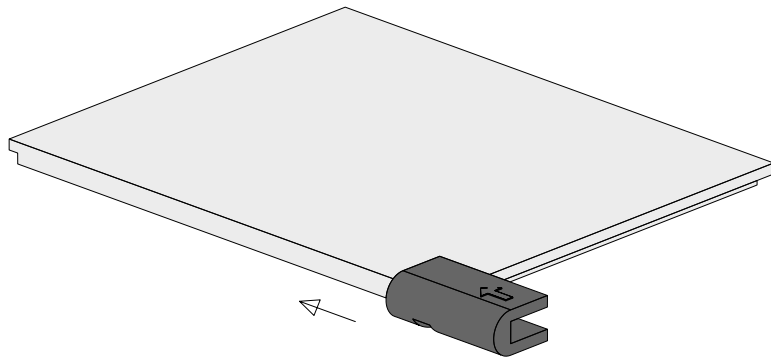
4. After cutting, your cut-edge will have a flat surface as shown below.



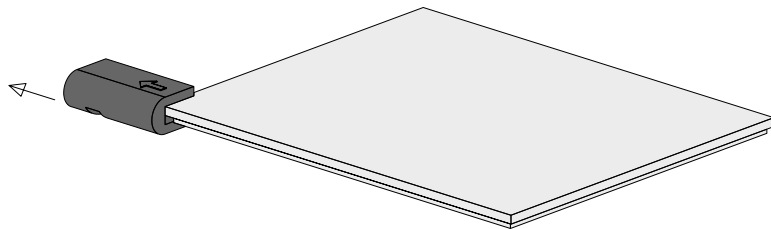
Tegular Ceiling Tiles

INSTALLATION INSTRUCTIONS

5. Now create the Tegular 'step' profile by using the Hush-Tegular tool provided. Firmly hold the tool against the tile and slide the tool in the direction of the arrow shown on the tool.



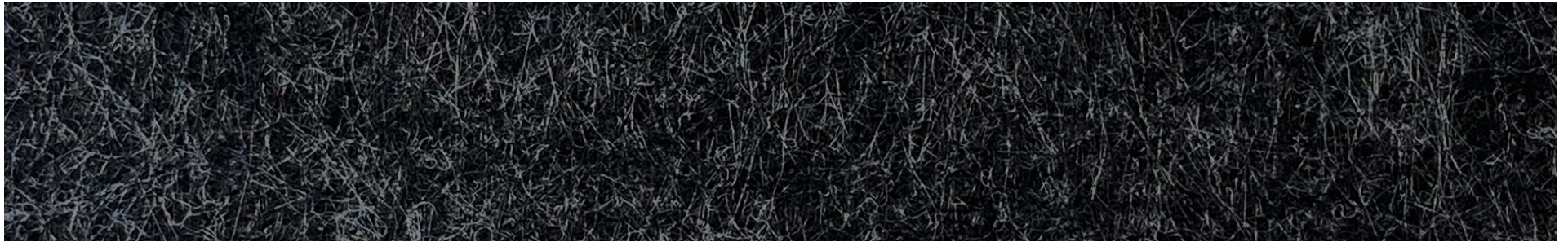
6. Slide the tool along the full length of the cut edge. Your cut edge will now have the Tegular 'step' profile and the tile is ready to be installed into the T-grid.



Colour Options

PLEASE NOTE: The images are only a sampling of the colours. Order a physical colour sample to obtain an accurate representation of our acoustic colours. Given our dedication to sustainability and use of recycled materials, a slight colour variation could occur between dye lots.

STOCKED COLOURS



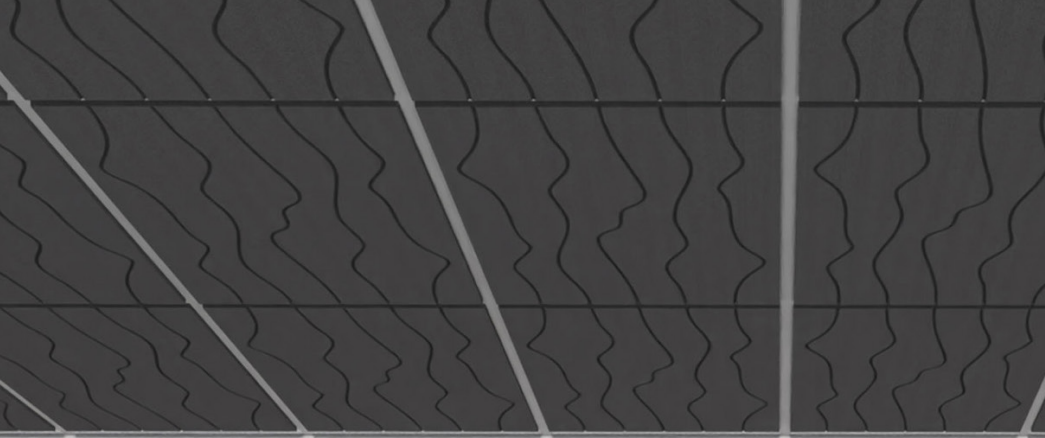
SLATE



FOG



VANILLA



Bark Tegular Ceiling Tile · Slate

hush. *acoustics*

Tailored for Architects,
Interior Designers, and
General Contractors, we serve
as a fast, expert, and reliable
partner for all your project ideas.

Quiet by Design



Proudly Made
in North America



2 Year
Limited Warranty



**GreenGuard Gold®
Certified**
All Hush products
exceed GreenGuard
Gold® indoor air
quality standards



**Fungal Resistant
Certified**
EMSL Canada verified
zero mold growth
for Hush P.E.T. felt
(ASTM C1338).

hello@hushacoustics.ca · 204.454.1950
31 Limestone Bay, Stonewall, MB
Canada · R0C 2Z0

Follow us on Instagram
@hush.acoustics

hushacoustics.ca

